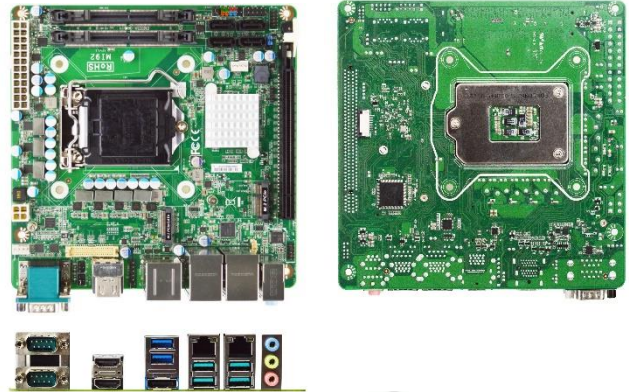




MI92-10 Series

Mini-ITX Embedded Motherboard, 10th Generation Intel® Core™ i7/ i5 /i3, Celeron & Pentium® LGA1200 Socket Processor, Max. 65W TDPs

1. Intel® 10th LGA1200 Socket Processor (Max. 65W TDP)
2. 2* DDR4 2666/2400MHz SO-DIMM up to 64GB
3. 2* 10/100/1000 Base-TX Ethernet Ports
4. 2* HDMI, 1* DP, 1* eDP
5. 2* COM (support RS232/422/485), 4* USB3.2 Gen.2, 2* USB3.2 Gen.1 & 2* USB2.0
6. 1* PCIe x16 slot, 1* M.2 M-key 2280 (SATA/PCIe x4) support NVMe, 1* M.2 E-key 2230 (PCIe x1/USB2.0) support CNVi
7. 4* SATA III (6Gb/s) support RAID 0, 1, 5, 10
8. Support onboard TPM 2.0 (MI92-12 only)



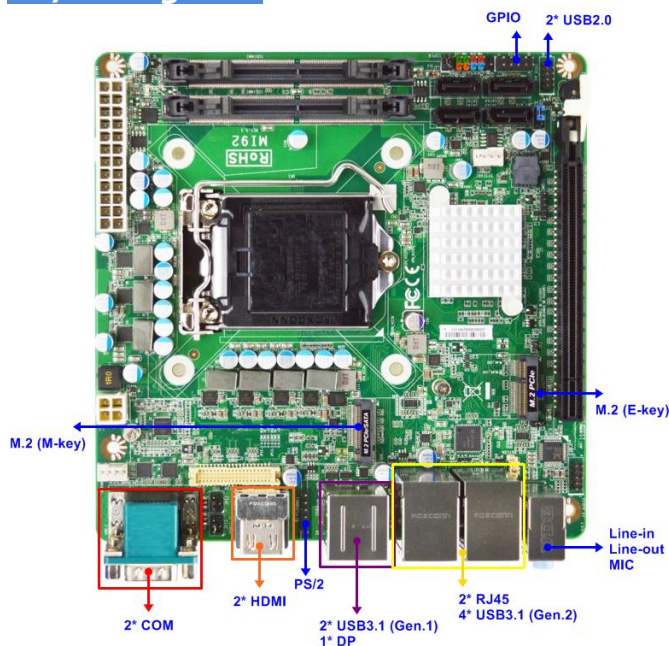
Overview

The JETWAY MI92-10/MI92-12 is Mini-ITX form factor board adopts the Intel® 10th generation Core i7/i5/i3, Pentium & Celeron Processor. The board supports two SO-DIMM DDR4 2666Mhz memory, up to 64GB. Featuring the integrated Intel® Gigabit Ethernet controller, the MI92-10/MI92-12 offers two 10/100/1000Base-TX Ethernet devices for network transmission. Four SATAIII (6Gb/s) interface and one M.2 M-key 2280 (SATA/PCIex4) support NVMe offer storage devices. One M.2 E-key 2230 (PCIex1/USB2.0) support CNVi, four USB3.2 Gen.2 ports, two USB3.2 Gen.1 ports, two USB2.0 ports and two COM port provide versatile expansion. The PCIe16 slot can support Jetway riser card for different expansion. The MI92-10/MI92-12 offers two HDMI.1.4 port, one DP1.4 port and one eDP port which can support 3 independent displays. Because of the above features, MI92-10/MI92-12 is suitable for Edge Computing, Digital Signage, Industrial PCs, Factory Automation, Public Sector, Digital Security and Surveillance applications.

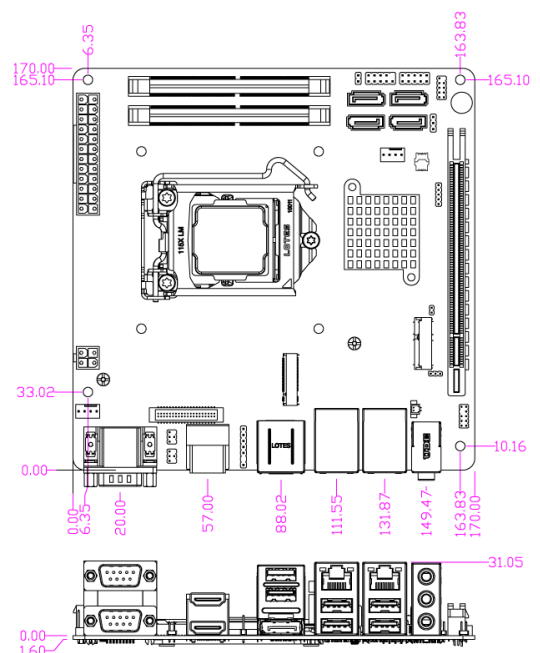
Application

Edge Computing / Digital Signage / Industrial PCs / Factory Automation / Public Sector / Digital Security / Surveillance

I/O Diagram



Mechanical Drawings (Unit = mm)



Specifications

Model	Form Factor
<ul style="list-style-type: none">MI92-10 (Q470E)MI92-12 (Q470E, onboard TPM2.0)	Mini-ITX (6.7-in * 6.7-in, 170 * 170mm)
Processor System	Expansion Slot
<ul style="list-style-type: none">Intel® 10th LGA 1200 Socket Core i7/i5/i3/Pentium/Celeron Processor (Max. 65W TDP)Intel Q470E Express chipsetAMI 128Mb Flash ROM BIOS	<ul style="list-style-type: none">1* E-key 2230 (PCIex1/USB2.0) support CNVi1* PCIex16 slot
Memory	Graphics
2* Dual CH non-ECC DDR4 2666/2400MHz SDRAM SO-DIMM up to 64GB	<ul style="list-style-type: none">Intel® HD Graphics, shared memory1* eDP (Max Resolution: 4096x2304@60Hz)2* HDMI 1.4 (Max Resolution: 4096x2160@30Hz)1* DP (Max Resolution: 4096x2304@60Hz)Support Triple Displays
Ethernet	Audio
1 * Intel i219LM & 1 * Intel i211AT GbE	6 channel HD audio: Realtek ALC662VD/ALC888S
Storage	Rear I/O
4* SATAIII support RAID 0, 1, 5, 10 1* M-key 2280 (SATA/PCIex4) support NVMe	<ul style="list-style-type: none">2* HDMI1* DP2* RJ45 Ethernet4* USB 3.2 (Gen. 2) & 2* USB3.2 (Gen. 1)Line-in, Line-out, MIC2* COM (COM 1/2 support RS232/422/485)
Internal Connector	Watchdog Timer
<ul style="list-style-type: none">2* USB 2.01* eDP4* SATAIII1* M.2 M-key 2280 (SATA/PCIex4) support NVMe1* M.2 E-key 2230 (PCIex1/USB2.0) support CNVi1* PS/21* GPIO (8 bit)1* Chassis intrusion1* Audio Header1* SMBUS1* AT modeSupport onboard TPM2.0 (MI92-12)	<ul style="list-style-type: none">From Super I/O to drag RESETCON#256 segments (10sec ~ 255min)
Power	Compliance
ATX PWR (4+24 pin), AT/ATX Supported - AT: Directly PWR on as Power input ready - ATX: Press Button to PWR on after Power input ready	CE, FCC, LVD, RoHS, REACH
Temperature	OS Support
<ul style="list-style-type: none">Operating: 0°C ~ 60°CStorage: -20°C ~ 85°CHumidity: 10% ~ 90% RH @40°C (non-condensing)	Windows 10, Linux
Warranty	
2 Years Limited Warranty	

* Specifications subject to change without notice, not responsible for typographical errors. Does not include HDD or OS.

Standard Accessories

Parts Number	Description	Parts Number	Description
-----	MI92-10 / MI92-12 M/B		
	MI92 I/O shield		