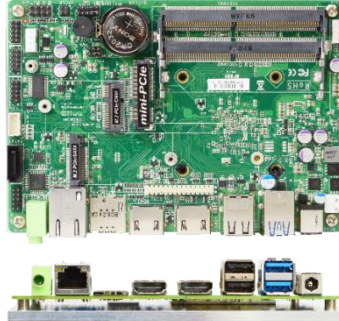


JNF931 Series

Intel® Gemini Lake-R SoC CPU, Support DDR4 up to 8GB, Dual 4k@60Hz HDMI, Support Intel CNVi

1. Intel® Gemini Lake-R SoC Processor
2. 2* DDR4 2400MHz SO-DIMM up to 8GB
3. 1* 10/100/1000 Base-TX Ethernet Ports
4. 2* HDMI, 1* eDP support triple display
5. 1* COM, 2* USB3.1 (Gen.1), 4* USB2.0
6. 1* M.2 M-key (2242/2280) support NVMe, 1* M.2 E-key (2230 w/ CNVi)
7. 1* SATA III (6Gb/s), 32GB eMMC onboard (JNF931G32-4125)



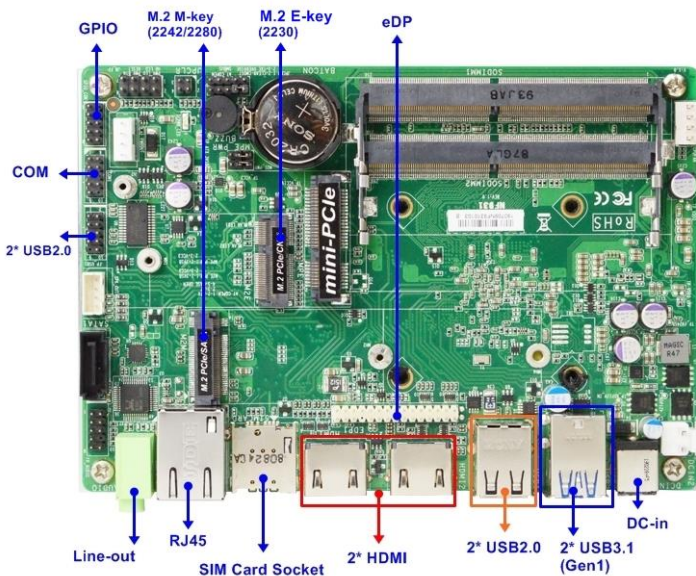
Overview

The JETWAY JNF931 is 3.5" form factor board adopts the Intel® Gemini Lake/Gemini Lake-R SoC Processor. The board supports two SO-DIMM DDR4 2400Mhz memory, up to 8GB. Featuring the integrated Intel® Gigabit Ethernet controller, the JNF931 offers one 10/100/1000Base-TX Ethernet device for network transmission. 32GB onboard eMMC and one SATAIII (6Gb/s) interface and one M.2 M-key support NVMe offer storage devices. Two USB3.1 Gen.1 ports, four USB2.0 ports and one COM port provide versatile expansion. The M.2 E-key can support WIFI/3G/4G and Intel CNVi interface. The JNF931 offers two HDMI2.0 ports and one eDP port which can support 3 independent displays. Because of the above features, JNF931 is suitable for Digital Signage, IOT Solution applications.

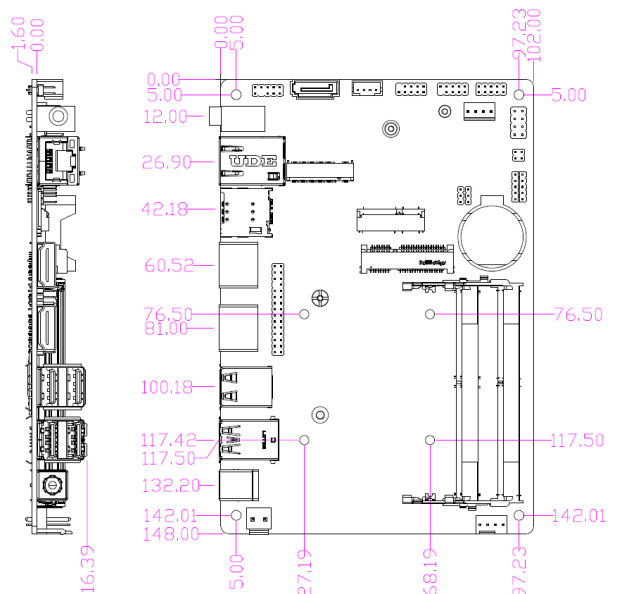
Application

Digital Signage/IOT Solution

I/O Diagram



Mechanical Drawings (Unit = mm)



Specifications

Model	Form Factor
<ul style="list-style-type: none">JNF931G32-4125 (Default)JNF931-4125	3.5" (5.8-in * 4.0-in, 148 * 102mm)
Processor System	Expansion Slot
<ul style="list-style-type: none">Intel® Gemini Lake-R SoC ProcessorAMI Flash ROM BIOS	<ul style="list-style-type: none">M.2 E-key (2230) Support CNVi, USB2.0 & PCIe1 interface1* full size Mini-PCIe Support USB2.0 & PCIe1 interface
Memory	Graphics
2* SO-DIMM DDR4 2400MHz Dual CH SDRAM non-ECC up to 8GB	<ul style="list-style-type: none">Intel® HD Graphics, shared memory1* eDP (Max Resolution: 4096x2304@60Hz)2* HDMI 2.0 (Max Resolution: 4096x2160@60Hz)Support Triple Displays
Ethernet	Audio
1* Intel GbE (1* i211AT)	<ul style="list-style-type: none">6 channel HD audio: Realtek ALC662VD3W AMP speaker
Storage	Integrated Storage
<ul style="list-style-type: none">1* SATAIII32GB onboard eMMC (JNF931G32-4125)M.2 M-key (2242/2280) Support PCIe2(NVMe) & SATA interface	1* 32GB eMMC (JNF931G32-4125)
Rear I/O	Internal Connector
<ul style="list-style-type: none">2* USB3.1 (Gen1)2* USB2.02* HDMI1* Ethernet1* SIM card slotLine-outDC-in (12V)	<ul style="list-style-type: none">2* USB2.01* eDP1* RS2321* SATAIII1* GPIO (8 bit)1* Audio Header1* SMBUS1* CPU FAN1* AT mode
Watchdog Timer	Power
<ul style="list-style-type: none">From Super I/O to drag RESETCON#256 segments (10sec ~ 255min)	DC-IN 12V - AT: Directly PWR on as Power input ready - ATX: Press Button to PWR on after Power input ready
Compliance	Temperature
CE, FCC, LVD, RoHS, REACH	<ul style="list-style-type: none">Operating: 0°C ~ 60°CStorage: -20°C ~ 85°C
Warranty	
2 Years Limited Warranty	

*Specifications subject to change without notice, not responsible for typographical errors. Does not include HDD or OS.

Standard Accessories

Parts Number	Description	Parts Number	Description
-----	JNF931Series M/B		
G01-PW4PS-2S-323F	SATA Power cable		
G01-SATA3-BL-1F	SATAIII cable		