



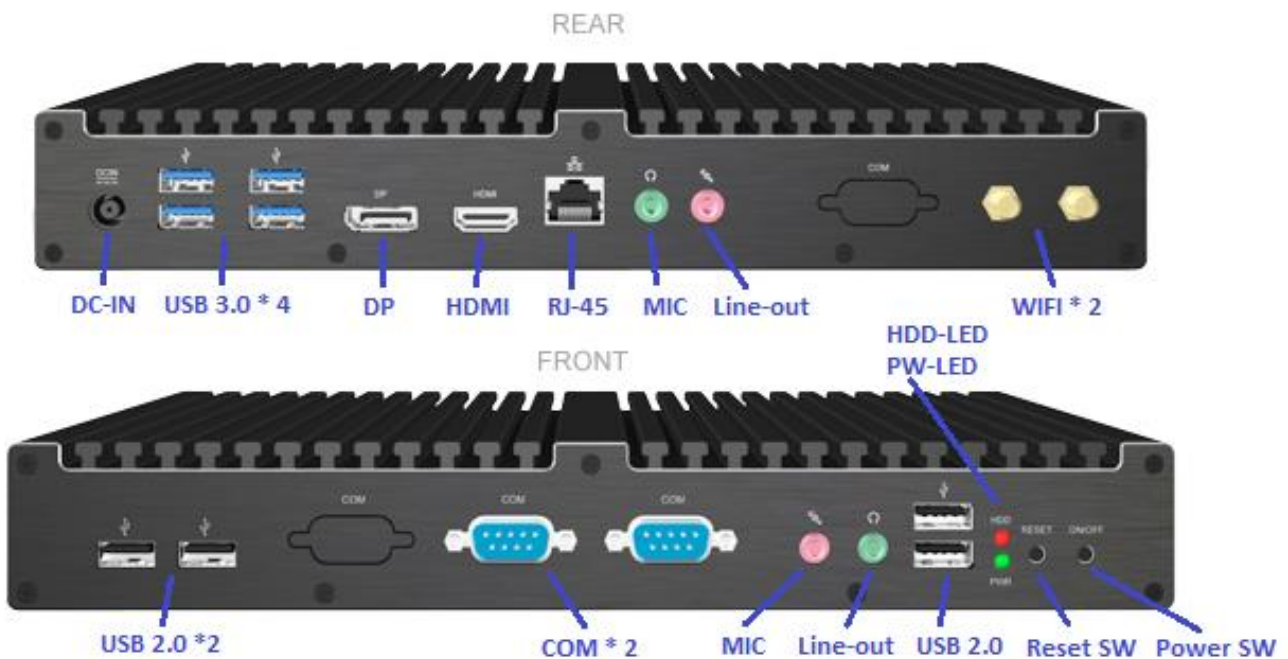
# JBC511F595(W)-H110-B

Intel® LGA1151 Core™ i3, i5, i7 CPU, DDR4 2133MHz up to 32GB



1. Intel LGA 1151 Core i3/i5/i7 Processors(35W)
2. 2 \* SO-DIMM Dual CH DDR4 2133MHz up to 32GB
3. 4 \* USB2.0 , 4 \* USB3.0 , 2 \* COM , 1 \* DP , 1 \* HDMI , 1 \* RJ45 , 1 \* Mic , 1 \* Line out
4. M/B Form Factor : Mini ITX (170x170mm)
5. FSP Adapter DC-19V\_6.3A\_120W

## External I/O

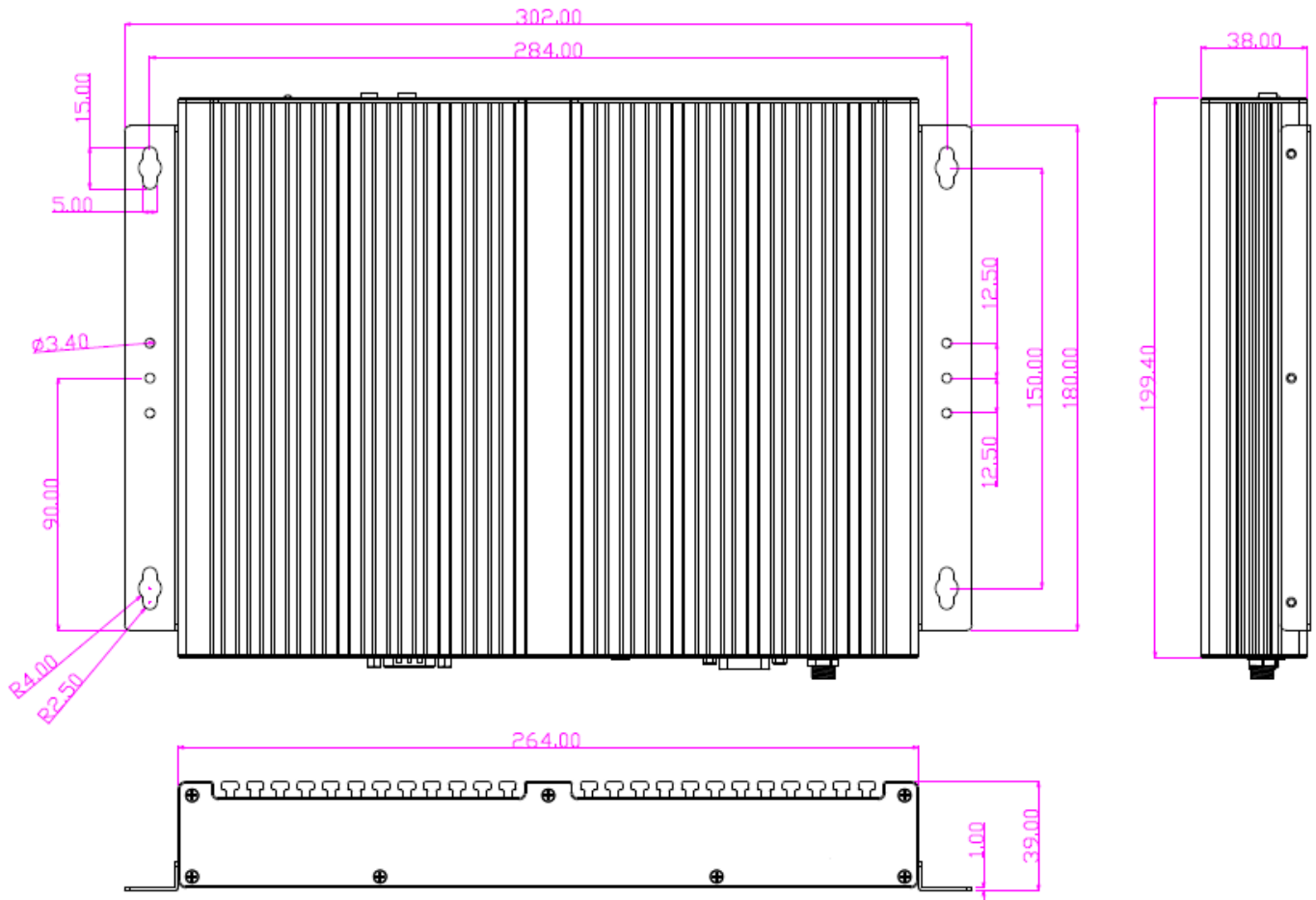


## Specifications

<b>MB Model</b>	JNF595-H110 / Mini-ITX
<b>Part No</b>	● HBJC511F595-H110-B (non-WIFI) / HBJC511F595W-H110-B (WIFI)
<b>BIOS</b>	AMI 64MB SMT Flash ROM
<b>CPU/Chipset</b>	<ul style="list-style-type: none"> <li>● INTEL® LGA 1151 Socket Core i7/i5/i3/Pentium Processor (35W)</li> <li>● INTEL® H110 express chipset</li> </ul> <p style="color: #D9534F; font-size: small;">Notes : When the system runs, CPU will automatically adjust its working clock frequency according to changing workload.</p>
<b>Memory</b>	2 * 204-pin SO-DIMM slots supporting dual channel DDR4-21330 up to 32GB
<b>Storage</b>	<ul style="list-style-type: none"> <li>● 1 * 2.5" SATA3 6Gb/s internal drive bay (only support 2.5" HDD with a height ≤ 10mm)</li> <li>● 1 * Full-size mSATA/mini-PCI Express shared slot</li> </ul>
<b>Network</b>	<ul style="list-style-type: none"> <li>● 1 * Intel i219V Gigabit LAN</li> <li>● 1 * Full-size mini-PCIE slot (802.11 b/g/n + BT 4.0 installed in WIFI model)</li> </ul>
<b>Rear Panel I/O</b>	<ul style="list-style-type: none"> <li>● 4 * USB 3.0 ports</li> <li>● 1 * HDMI 1.4A(Max. Resolution: 1920*1080@60Hz)</li> <li>● 1 * DP1.2(Max. Resolution: 4096*2304@60Hz)</li> <li>● 1 * RJ45</li> <li>● 1 * Line-out, 1 * Mic-in</li> <li>● 2 * COM (RS232)</li> <li>● 2 * Antenna holes(WiFi only)</li> <li>● 1 * DC-In Jack</li> </ul>
<b>Front Panel I/O</b>	<ul style="list-style-type: none"> <li>● 1 * Power button , 1 * Reset button</li> <li>● 1 * Power LED , 1 * HDD LED</li> <li>● 2 * USB 2.0 ports</li> <li>● 1 * Line-out, 1 * Mic-in</li> </ul>
<b>Power Source</b>	<ul style="list-style-type: none"> <li>● FSP AC-DC Adapter_DC19V_6.3A_120W</li> <li>● AC 90~240V input</li> </ul>
<b>Compliance</b>	CE, FCC, RoHS, ErP Ready
<b>Temperature</b>	Operating Temperature: 0~50 °C Storage Temperature: -10~70 °C
<b>Dimensions</b>	264 (W) x 199.4 (D) x 38 (H) mm
<b>Packing</b>	<ul style="list-style-type: none"> <li>● Net Weight: 2.4KG</li> <li>● Gross Weight: 3.4KG</li> <li>● Color Box dimension: 406 (W) * 148 (D) * 380 (H) mm</li> </ul>
<b>OS Support</b>	Skylake CPU support Win7, Win8, Win10. Kabylake CPU only support Win10.
<b>Warranty</b>	2 Year limited warranty

\*Specifications subject to change without notice, not responsible for typographical errors. Does not include HDD or OS.

## Mechanical Drawings (Unit = mm)



## Optional Accessories

Parts Number	Description
-----	JBC511F595(W)-H110-B
G03-JC511QIG01-F	JBC511 Quick Installation Guide
G03-NF595-F	IPC NF595 M/B User's Manual
G02-DVD25-A2-WF	INTEL Driver DVD-ROM
L01AS034-F	Adapter 19V 6.32A 120W FSP120-REBN2 LEVEL6
-----	Power cord
HCS5XXMWM01B-F	JC5XX Wall mount
LCSCHBJC3XX-F	Screw Pack
J05-ANT-AN2400-F	Antenna2G4 -2dBi R-AN2400-5701RS (WiFi only)
HCS3XXDINRAILPS-F	Din Rail Clip