



## 1U Rack mount System



JBC161F594-Q170-S

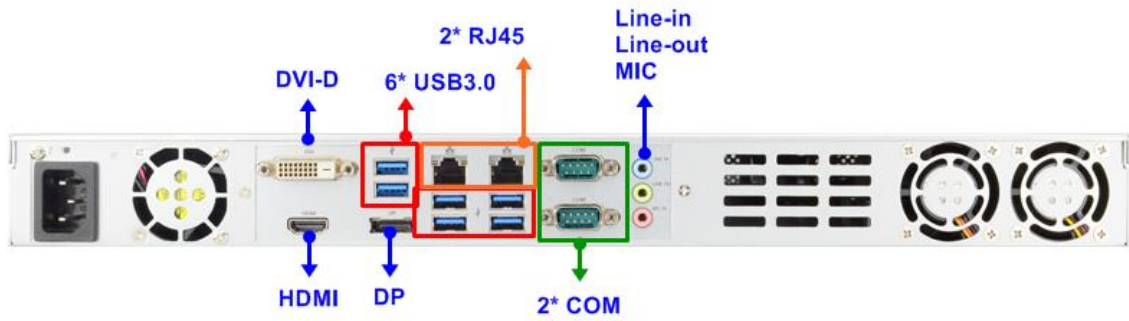
### Specifications:



- |                            |  |
|----------------------------|--|
| ■ <b>Product Dimension</b> | ■ 430 (W) * 467 (D) * 44 (H) mm  |
| ■ <b>Product model</b>     | ■ JBC161F594-Q170-S  |
| ■ <b>MB Model</b>          | ■ JNF594-Q170 (Mini-itx / 170 * 170 mm)<br>■ CPU : INTEL Core i7/i5/i3/Pentium/Celeron Processor / LGA1150<br>■ Chipset : Intel Q170 Chipset<br>■ Memory : 2 * DDR4 SO-DIMM / 2133 Mhz SDRAM up to 32 GB |
| ■ <b>Spacs Devices</b>     | ■ <u>3.5" SATA Device * 4</u> & <u>2.5" SATA Device * 1</u>  |
| ■ <b>Colors</b>            | ■ Silver   |
| ■ <b>Front I/O Port</b>    | ■ Power SW * 1, Reset SW * 1<br>■ Power LED * 1, HDD R/W LED * 1<br>■ USB 2.0 * 2  |
| ■ <b>Rear I/O Port</b>     | ■ USB 3.0 * 6<br>■ HDMI * 1 , DP * 1 , DVI-D * 1<br>■ COM * 2<br>■ RJ-45 * 2<br>■ Mic * 1 , Line in * 1 , Line out * 1<br>■ AC INPUT * 1   |
| ■ <b>1U Power</b>          | ■ AC 90~240V input / 1U-300W / Support PFC<br>■ 190 (L) *100 (W) *40.5 (H) mm (FLEX)   |
| ■ <b>FAN</b>               | ■ 4020 FAN * 4 / 7000 rpm / DC-12V-0.1A / 12 CFM<br>■ 4038 FAN * 2 / 12000 rpm / DC-12V-0.3A / 42 CFM  |
| ■ <b>Expansion Slot</b>    | ■ Mini-PCI (PCI-E) Slot * 1  |
| ■ <b>Accessory</b>         | ■ Power cord * 1 , PCI-E Riser Card * 1<br>■ User's Manual * 1 , CD *1<br>■ Quick Installation Guide * 1<br>■ Screw Pack * 1<br>■ CPU Cooler FAN (95*95*28mm) * 1  |

- |   |  |
|---|--|
| <ul style="list-style-type: none"> <li>■ <b>Packing</b></li> </ul>      | <ul style="list-style-type: none"> <li>■ Net Weight : 5.8 KG</li> <li>■ Gross Weight : 6.8 KG</li> <li>■ Color Box Dimension : 560 (W) x 600 (D) x 140 (H) mm</li> </ul> |
| <ul style="list-style-type: none"> <li>■ <b>Safety</b></li> </ul>       | <ul style="list-style-type: none"> <li>■ CE , FCC</li> </ul>   |
| <ul style="list-style-type: none"> <li>■ <b>Applications</b></li> </ul> | <ul style="list-style-type: none"> <li>■ Server System</li> <li>■ Storage System</li> <li>■ NAS System</li> <li>■ Video Editing System</li> </ul>                        |
| <ul style="list-style-type: none"> <li>■ <b>Warranty</b></li> </ul>     | <ul style="list-style-type: none"> <li>■ 2 Year limited warranty</li> </ul>  |

### Rear



### Front

