



Specifications:

■ Product Dimension	■ 430 (W) * 251 (D) * 43 (H) mm
■ Product Model	■ HBJC153F9HB-2930-B ■ HBJC153F9HB-2930B4 ■ HBJC153F9HB-2930G4
■ MB Model & Size	■ JNF9HB-2930 / MINI-ITX
■ BIOS	■ AMI 16MB SMT Flash ROM
■ CPU	■ INTEL® Bay Trail – M/D/I Processor
■ Memory	■ Dual Channel DDR3L 1333/1066MHz (Max 8GB)
■ Storage	■ 2.5" SATA HDD * 2
■ Expansion	■ full size Mini-PCIE * 2 (Support M-SATA*1) ■ SIM Card Slot * 1 ■ Support TPM (optional)
■ FAN	■ DC-12V / 4020 FAN * 3
■ Front I/O Port	■ Power LED * 1 , HDD LED * 1 ■ COM * 1 ■ COM * 1 , GPIO * 1(optional) ■ VGA * 1(optional) ■ USB 3.0 * 1, USB 2.0 * 1 ■ Giga LAN * 2 ■ Giga LAN * 2 (Support Bypass LAN) ■ Giga LAN * 4 (Expansion 2 pairs Bypass LAN -HBJC153F9HB-2930B4) ■ Giga LAN * 4 (Expansion 4 ports LAN -HBJC153F9HB-2930G4)
■ Rear I/O Port	■ AC input * 1 ■ PW SW * 1
■ Power Source	■ 1U 200W FLEX POWER ■ AC 90~240V input
■ Accessory	■ AC Cable * 1 , Screw Package * 1 ■ User Manual * 1 , CD * 1

■ **Packing**

- Net Weight : 4.2KG
- Gross Weight : 5KG
- Color Box Dimension : 560 (W) x 400 (D) x 380 (H) mm

■ **Temperature**

- Operating within 0~60 centigrade
- Storage within -10~70 centigrade

■ **Certification**

- EMC : CE , FCC
- Safety : RoHS , ErP



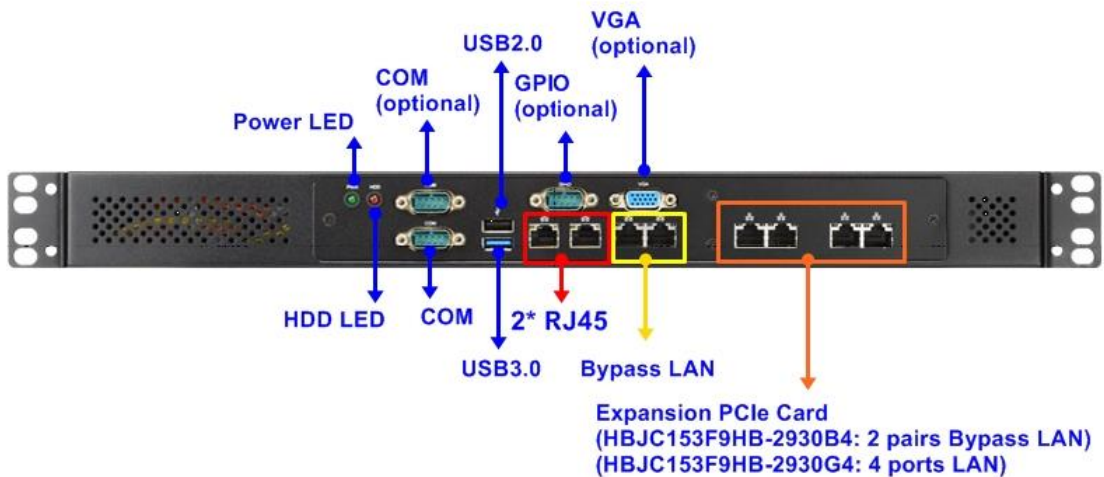
■ **Applications**

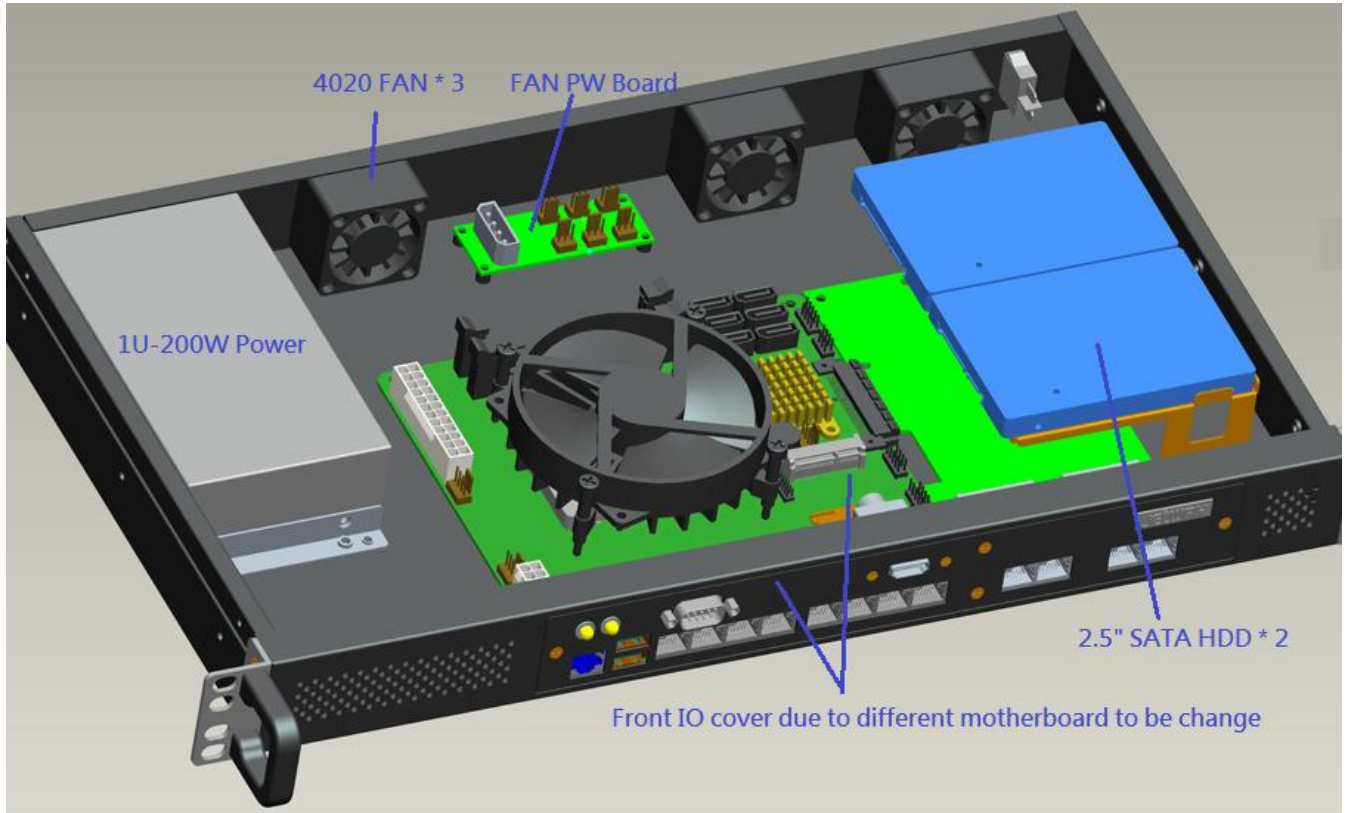
- Networking
- Surveillance

Rear



Front





Accessory :

Parts Number	Description	Set
-----	HBJC153F9HB-2930-B (or G4 / B4)	1
G03-JC153QIG01-F	JBC153 Series Quick Installation Guide	1
G03-NF9HB-F	NF9HB User Manual	1
G02-DVD20-A12-WF	INTEL Bay Trail DVD Driver	1
-----	Power cord	1
LCSCJC150-F	Screw Pack	1
G01-SATA3-BL-F	CABLE for SATA3 50cm Blue w/LOCK	2
X-TAPE005-F	Nylon cable tie, YJ-142	1