



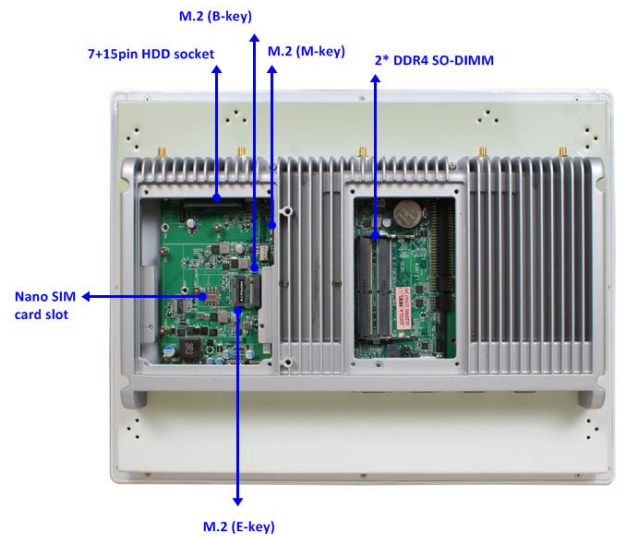
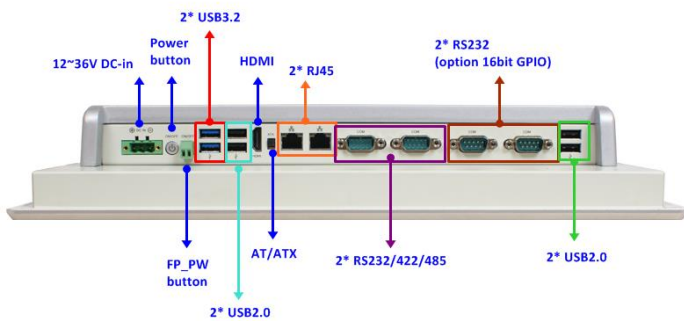
# HPC156C-DCP1135G7

Aluminum Die-Cast Panel PC series, 15.6" TFT Fanless Touch Panel Computer with Intel® Tiger Lake i5-1135G7 2.4GHz Quad Cores Processor

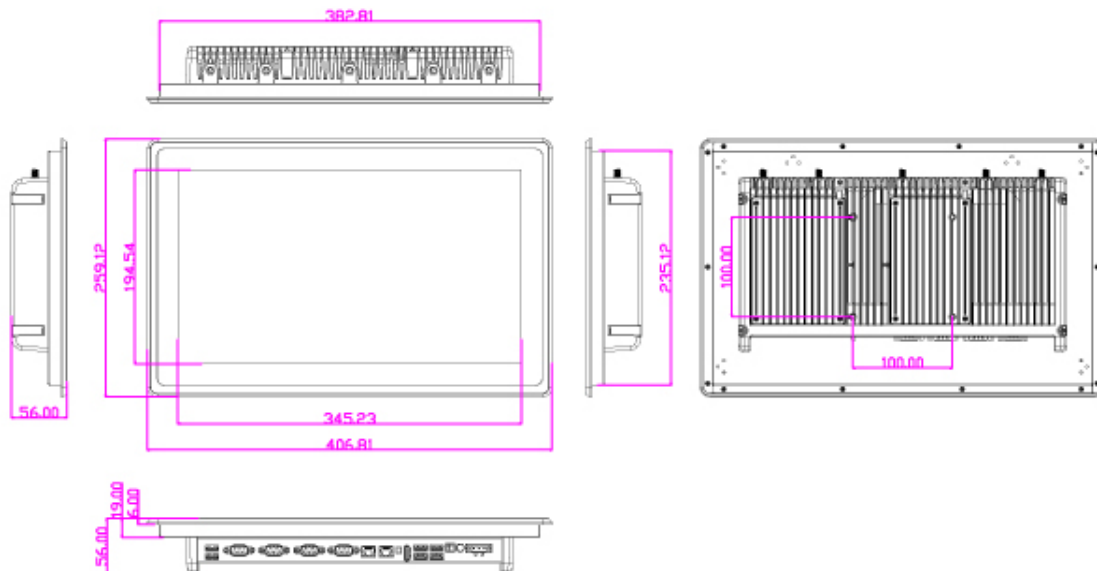
1. 15.6" 250 nits TFT LCD with LED backlight
2. 10-points Multi Capacitive Touch
3. Support Open frameless design
4. A true Flat, easy-to-clean front surface with edge-to-edge design
5. Front IP65 for protection against water and dust
6. Aluminum Die-Cast Panel PC series, support for easy HDD and DARM installation
7. Support Cable less design
8. 12-36V DC-input Support, with Electrical Over Stress(EOS), OVP design
9. VESA Support 100x100mm



## I/O Diagram



## Mechanical Drawings (Unit = mm)



## Specifications

### Display

- IP65, NEMA 4 rugged protection, metal front bezel
- 15.6" With LED Backlight
- 250 nits
- 262K display color
- 1920 x 1080 @60Hz resolution
- 170°/170° viewing angle (H/V)
- 0.17925 x 0.17925mm pixel pitch
- 16:9 aspect ratio
- 800:1 contrast ratio
- 35ms response time

### Case

- Aluminum panel
- Iron case
- White color
- Spray paint coating requirement

### Storage

- 1\* 2.5" SATA HDD
- 1\* M.2 M key (2242/2280, PCI-Ex4)

### I/O Connector

- 2\* USB3.2 (Gen1)
- 4\* USB2.0
- 2\* RS232/422/485
- 2\* RS232 (option 16bit GPIO)
- 1\* HDMI
- 1\* AT/ATX Mode Button
- 2\* RJ45 (1\* Intel® I225-V 2.5GbE, 1\* Intel® I219LM GbE)
- 1\* 12~36V DC-in Locking Jack
- 1\* Power button
- 1\* 2pin Front Power button

### Power Consumption

42W

### Compliance

CE, FCC, IP65(Front, Option)

### Temperature

- Operating: -10°C ~ 60°C
- Storage: -20°C ~ 70°C

### Touch Screen

- projected capacitive type
- 386.81 x 237.12mm ±0.3mm active range
- Transparency ≥ 85%
- Surface Hardness ≥ 6H (JIS-5400)

### Main System

- Intel® Tiger Lake i5-1135G7 2.4GHz/QC processor
- 2\* DDR4 SO-DIMM (Max 64GB)
- 256MB SPI Flash ROM
- Watchdog Timer 256 levels, 0~255 sec.
- OS Support Windows 10 / Linux

### Expansion

- 1\* M.2 E key (2230) for WIFI
- 1\* M.2 B key (3042/3052/6570) for 4G/5G Module (4pcs Built in Antenna)

### Power Input

- 12~36V DC-in
- AC version: 100~240V AC-DC 90W power adapter or
- DC version: 12VDC with over current protection fuse

### Dimensions

406.81 \* 259.12 \* 56.00mm

### Safety

- Shock: 1ms duration
- Vibration: 5~500Hz/1 Grms

### Warranty

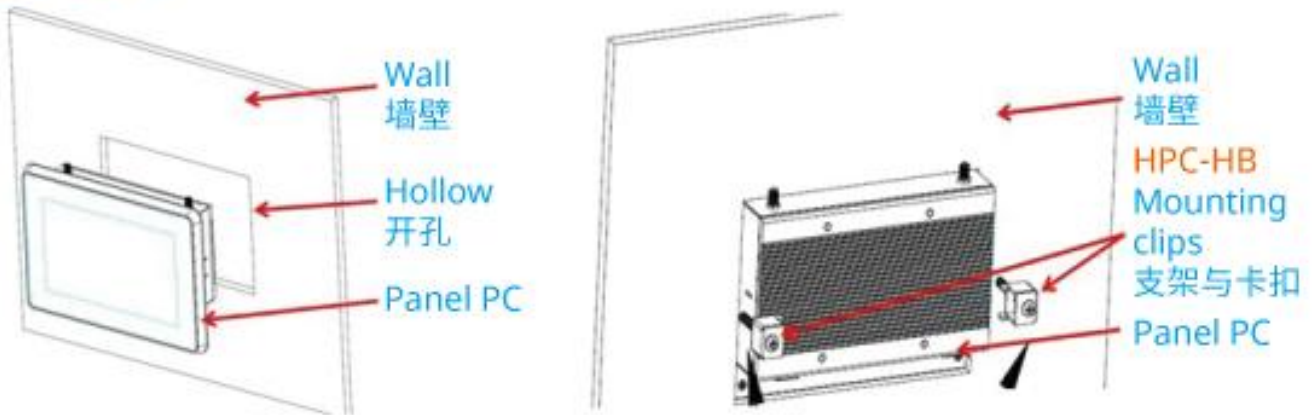
2 Years Limited Warranty (Panel and Touch is only Warranty 1 Year)

\* Specifications subject to change without notice, not responsible for typographical errors. Does not include HDD or OS.

## Standard Accessories

Parts Number	Description	Parts Number	Description
-----	HPC156C-DCP1135G7		90W AC-DC Adapter
	Power cord	HPC-HBD (option)	6* Mounting Clips

## HPC-HB Mounting clips for 7", 8", 10.1" Panel PC



## HPC-HBD Mounting clips for 10.4", 15", 15.6", 17", 18.5", 21.5", 23.8" Panel PC

