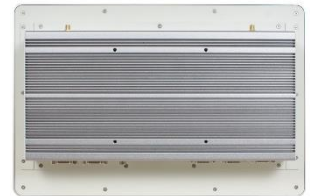




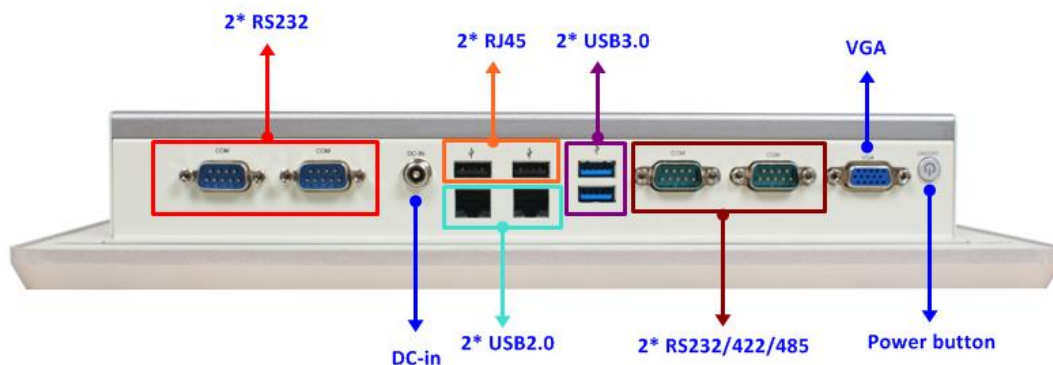
# HPC134SC-FP1900B

13.4" TFT Fanless Touch Panel Computer with Intel® Bay Trail-D J1900 2.0GHz Quad Cores Processor, 1\* VGA, 2\* RJ45

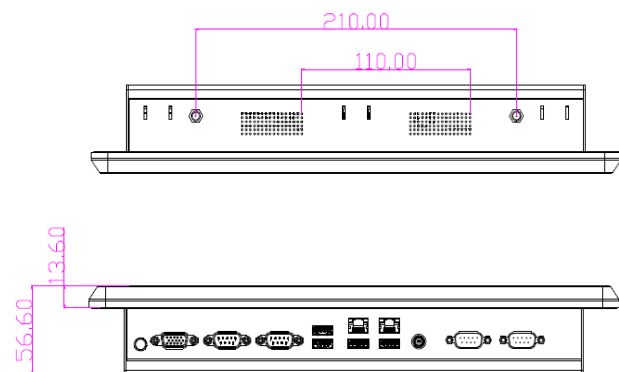
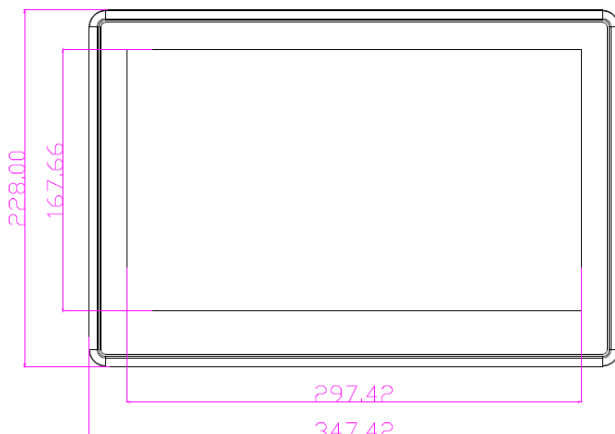
1. 13.4" 220 nits high brightness TFT LCD with LED backlight
2. 10-points Multi Capacitive Touch
3. Intel® Bay Trail-D J1900 2.0GHz/QC processor
4. Onboard DDR3L 1333MHz DRAM 4GB
5. 2\* GbE, 2\* RS232/422/485, 2\* RS232, 2\* USB3.0, 2\* USB2.0, 1\* VGA
6. 1\* Mini PCIe, 1\* M.2 M-key (2242/2260/2280, SATA interface)
7. 9~28V DC-in
8. Front bezel meets IP65-rated protection
9. VESA Support 100x100mm



## I/O Diagram



## Mechanical Drawings (Unit = mm)



## Specifications

### Display

- IP65, NEMA 4 rugged protection, Full planar metal border
- 13.4" With LED Backlight
- 220 nits Brightness (cd/m<sup>2</sup>)
- 262K display color
- 1366 x 768 @ 60Hz resolution
- 90°/65° viewing angle (H/V)
- 0.17925 x 0.17925 mm pixel pitch
- 16:9 aspect ratio
- 500:1 contrast ratio
- 11ms response time

### Case

- Aluminum panel
- Iron case
- Silver + Black color
- Spray paint coating requirement

### Expansion

1\* Mini PCIe for WIFI or 3G/4G

### I/O Connector

- 2\* USB3.0
- 2\* USB2.0
- 2\* RS232/422/485
- 2\* RS232
- 1\* VGA
- 2\* RJ45 (Intel I211AT GbE)
- 1\* Lockable 9~28V DC jack
- 1\* Power button

### Power Consumption

20W

### Compliance

CE, FCC, IP65 (Front)

### Temperature

- Operating: : -10°C ~ 60°C (with W.T. DRAM/HDD in airflow condition)
- Operating: : -10°C ~ 60°C (with W.T. DRAM/HDD)
- Storage: -20°C ~ 85°C

\* Specifications subject to change without notice, not responsible for typographical errors. Does not include HDD or OS.

### Touch Screen

- Projected capacitive type
- 340.00 x 200.00mm ±0.3mm active range
- Transparency ≥ 85%
- Surface Hardness ≥ 6H (JIS-5400)
- Glass haze value ≤ 3%

### Main System

- Intel® Bay Trail-D J1900 2.0GHz/QC processor
- Onboard DDR3L 1333MHz DRAM 4GB
- 64MB SPI Flash ROM BIOS
- Watchdog Timer: 256 levels, 0~255 sec.
- OS Support: Windows 7 / 8.1 / 10 / Linux (Option)

### Storage

- 1\* SATA
- 1\* M.2 M-key (2242/2260/2280, SATA Interface)

### Power Input

- 9~28V DC-in
- AC version: 100~240V AC-DC 60W power adapter or
- DC version: 12VDC with over current protection fuse

### Dimensions

347.42 \* 228.00 \* 56.60mm

### Safety

- Shock: 15G, 11ms duration
- Vibration: 5~500Hz/1 Grms

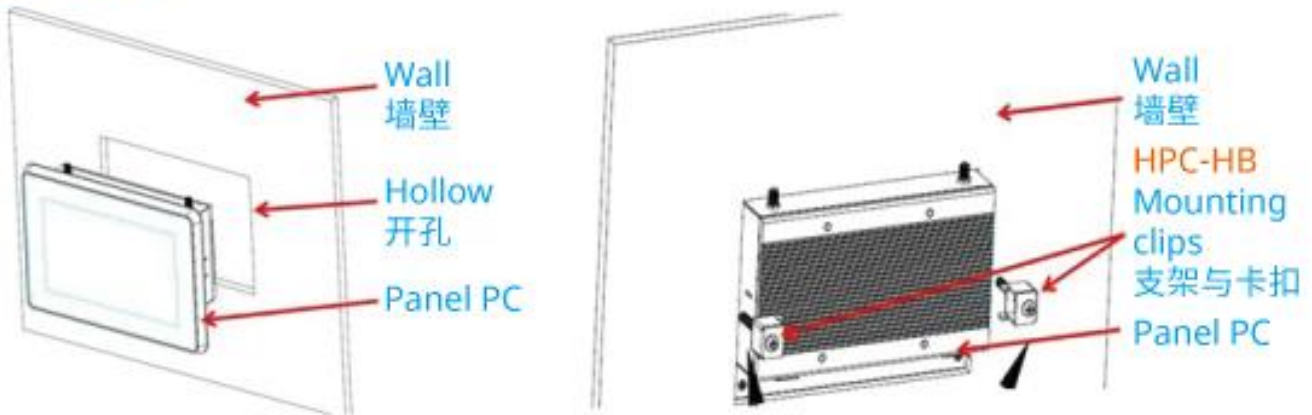
### Warranty

2 Years Limited Warranty (Panel and Touch are only 1 Year Warranty)

## Standard Accessories

Parts Number	Description	Parts Number	Description
-----	HPC134SC-FP1900B		60W AC-DC Adapter
Change according to shipping area	Power cord	HPC-HB (option)	4* Mounting Clips

## HPC-HB Mounting clips for 7", 8", 10.1" Panel PC



## HPC-HBD Mounting clips for 10.4", 15", 15.6", 17", 18.5", 21.5", 23.8" Panel PC

