



HBJC501F797(W)-Q370-B

Intel® LGA1151 CPU, DDR4 2400/2666MHz up to 32GB

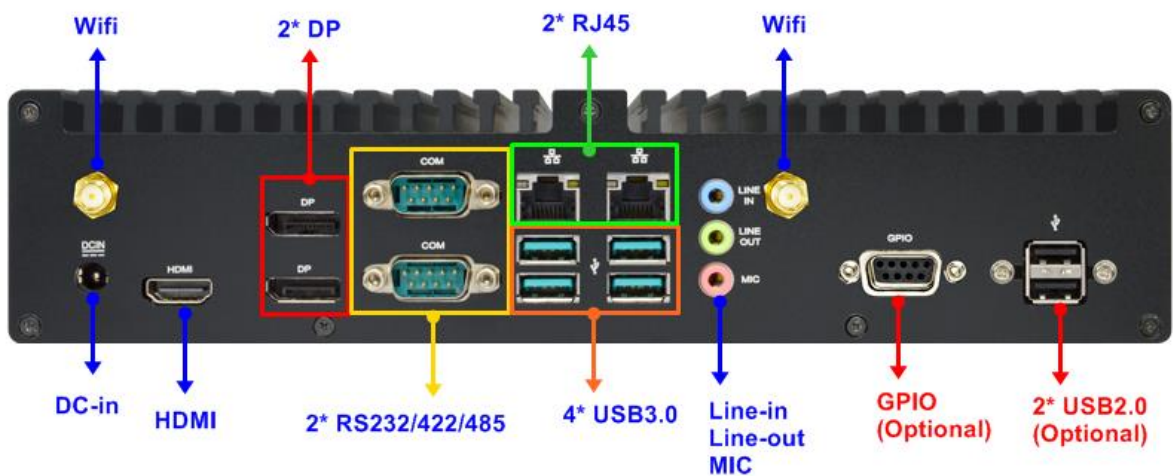


1. Fanless Black Aluminum Enclosure
2. Support Intel LGA1151 Coffee Lake Processors
3. Supports DDR4 2400/2666MHz SODIMM up to 32GB
4. Supports up to 3 Displays, 1* HDMI, 2* DP
5. 1* 2.5" SATAIII 6Gb/s Internal Drive bay
6. 1* M.2(M-key, 2242/2260/2280) slot for SSD
7. Support onboard TPM 2.0
8. 120W 19V AC Adapter

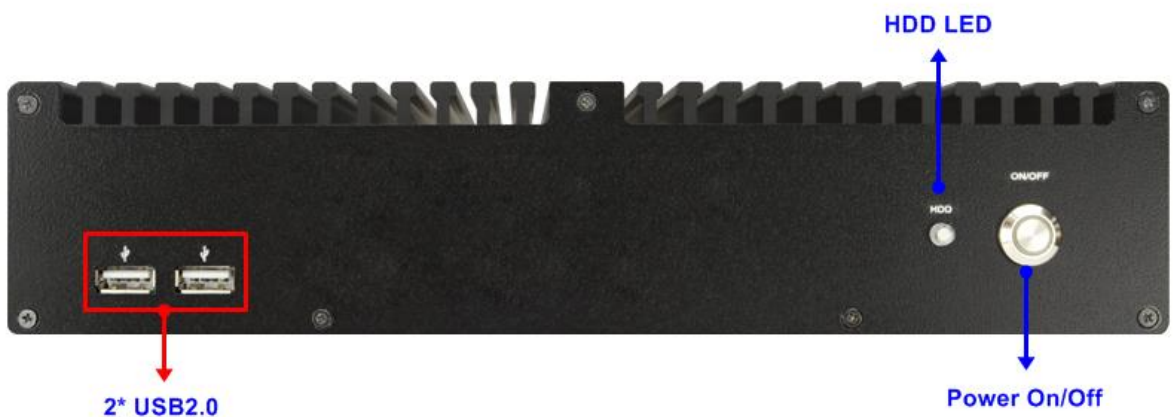


External I/O

Rear



Front

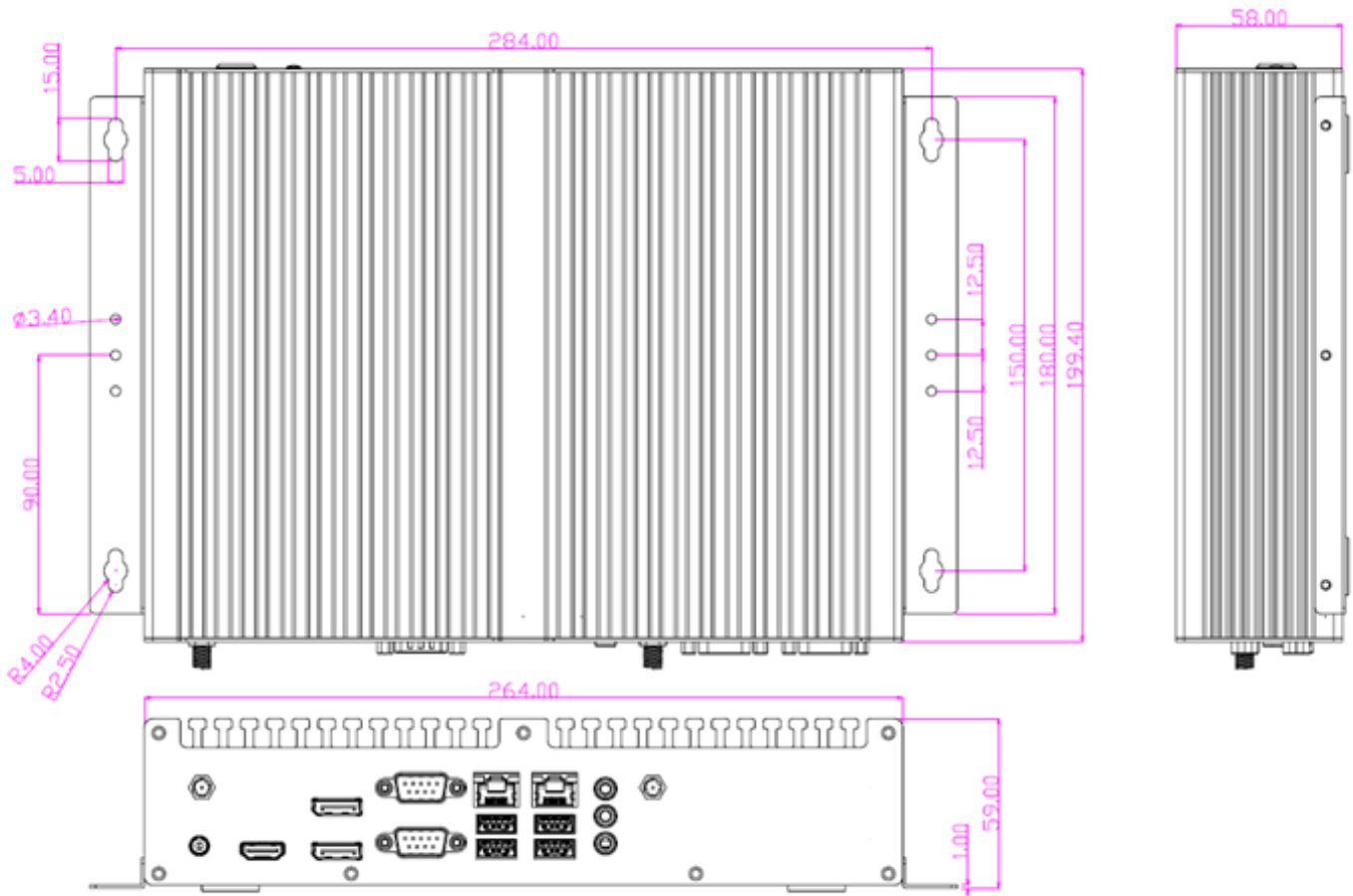


Specifications

MB Model	<ul style="list-style-type: none"> ● JNF797-Q370 Series/ MINI-ITX
Part No	<ul style="list-style-type: none"> ● HBJC501F797-Q37-B (non-WIFI) / HBJC501F797WQ37-B (WIFI)
BIOS	AMI SMT Flash ROM
CPU/Chipset	<ul style="list-style-type: none"> ● Intel® LGA1151 Coffee Lake Processor (Max. TDP 35W) ● Intel® Q370 chipset <p>Notes: When the system runs, CPU will automatically adjust its working clock frequency according to changing workload.</p>
Memory	2 * SO-DIMM slots / Dual channel DDR4 2400/2666MHz up to 32GB total
Storage	<ul style="list-style-type: none"> ● 1 * 2.5" SATAIII 6Gb/s internal drive bay (only support 2.5" HDD with a height ≤ 10mm) ● 1 * M.2 (M-key, 2242/2260/2280) slot for SSD
Network	<ul style="list-style-type: none"> ● 2 * Intel GbE (i219LM, i211AT) ● 1 * M.2(E-key, 2230) slot for WIFI expansion module
Rear Panel I/O	<ul style="list-style-type: none"> ● 4 * USB 3.1 ports (Gen. 2) ● 1 * HDMI (Max. Resolution: 4096 x 2160@30Hz) ● 2 * DP (Max. Resolution: 4096 x 2304@60Hz) ● 2 * RJ45 ● 1 * Audio (Line-in, Line-out, MIC) ● 2 * COM (RS232/422/485) ● 2 * Antenna holes (HBJC501F797WQ37-B only) ● 1 * DC-in jack
Front Panel I/O	<ul style="list-style-type: none"> ● 1 * Power button, 1 * HDD LED ● 2 * USB 2.0 ports
Internal Expansion	<ul style="list-style-type: none"> ● Support onboard TPM 2.0
Power Source	<ul style="list-style-type: none"> ● AC to DC Adapter 19VDC-6.3A 120W
Compliance	CE, FCC, LVDS, RoHS, ErP Ready
Environment	<ul style="list-style-type: none"> ● Operating Temperature: -20 ~ 50 °C (The test environment is closed and windless) ● Storage Temperature: -10 ~ 70 °C ● Humidity: 90% , non-condensing
Dimensions	264 (W) x 199.4 (D) x 58 (H) mm
Packing	<ul style="list-style-type: none"> ● Net Weight: 4.2KG ● Gross Weight: 5KG ● Color Box dimension: 406 (W) * 148 (D) * 380 (H) mm
OS Support	Windows 10, Linux
Warranty	2 Years limited warranty

*Specifications subject to change without notice, not responsible for typographical errors. Does not include HDD or OS.

Mechanical Drawings (Unit = mm)



Optional Accessories

Parts Number	Description
-----	HBJC501F797 SERIES
G03-JC501QIG03-F	Quick Installation Guide
G03-NF797-F	IPC JNF797 Series M/B User's Manual
G02-DVD32-A2-WF	Intel Skylake/Kabylake DVD-ROM Driver
L01AS039-F	Adapter 19V 6.32A 120W / LEVEL6
-----	Power cord
HCS5XXMWM01B-F	JC5XX Wall mount / Black color
LCSCBJC3XX-F	Screw pack
J05-ANT-AN2400-F	Antenna2G4 -2dBi R-AN2400-5701RS (HBJC501F797W-Q37B only)
HCS3XXDINRAILPS-F	Din Rail Clip

Tel: +886-2-89132711 E-mail: sales@jetway.com.tw Web: www.jetwayipc.com
 Support: technic_support@jetway.com.tw or support_team@jetway.com.tw