



HBJC377F631(W) Series

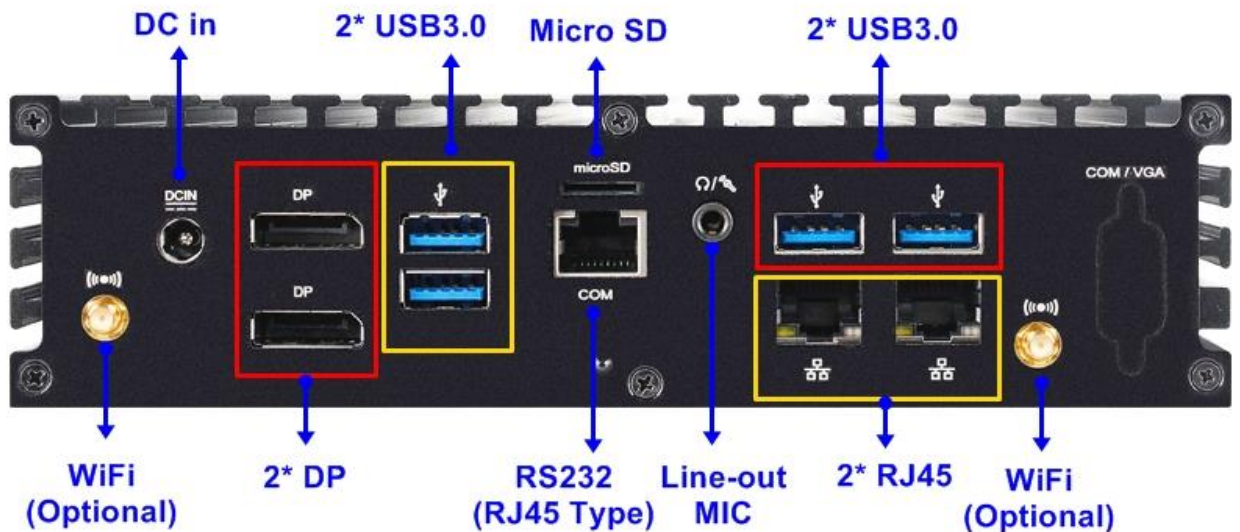


1. Intel® Apollo lake SoC Processor (Max. TDP 10W)
2. Support 1 * DDR3L SO-DIMM up to 8GB memory
3. 2 * USB2.0, 4 * USB3.0, 2 * DP, 2 * RJ45, 1 * SD, 1 * RS232 (RJ45 type)
4. DC 12V_60W Adapter

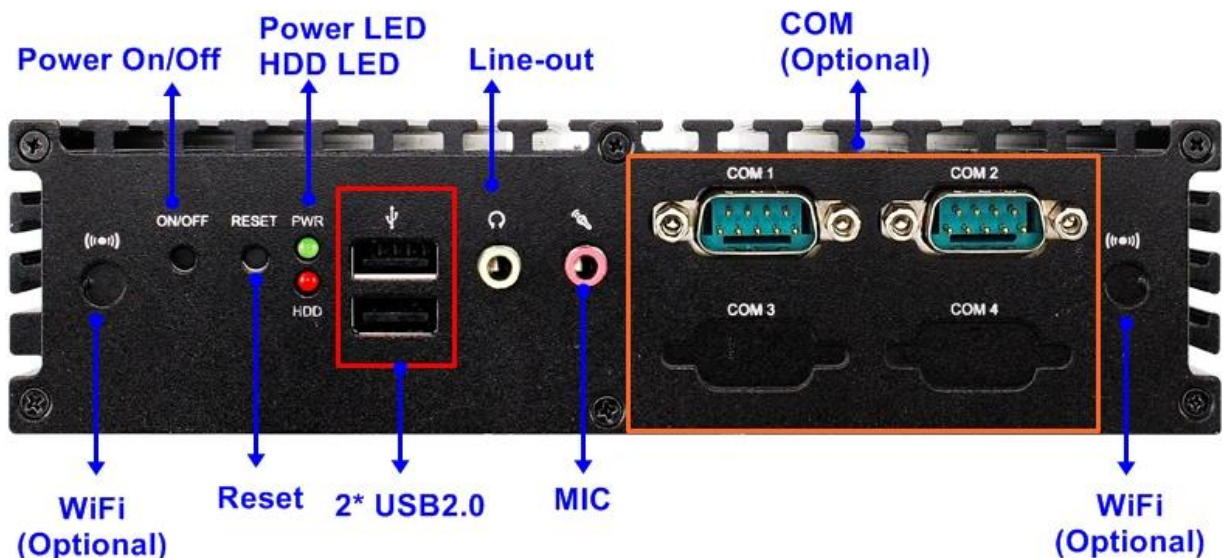


External I/O

Rear



Front

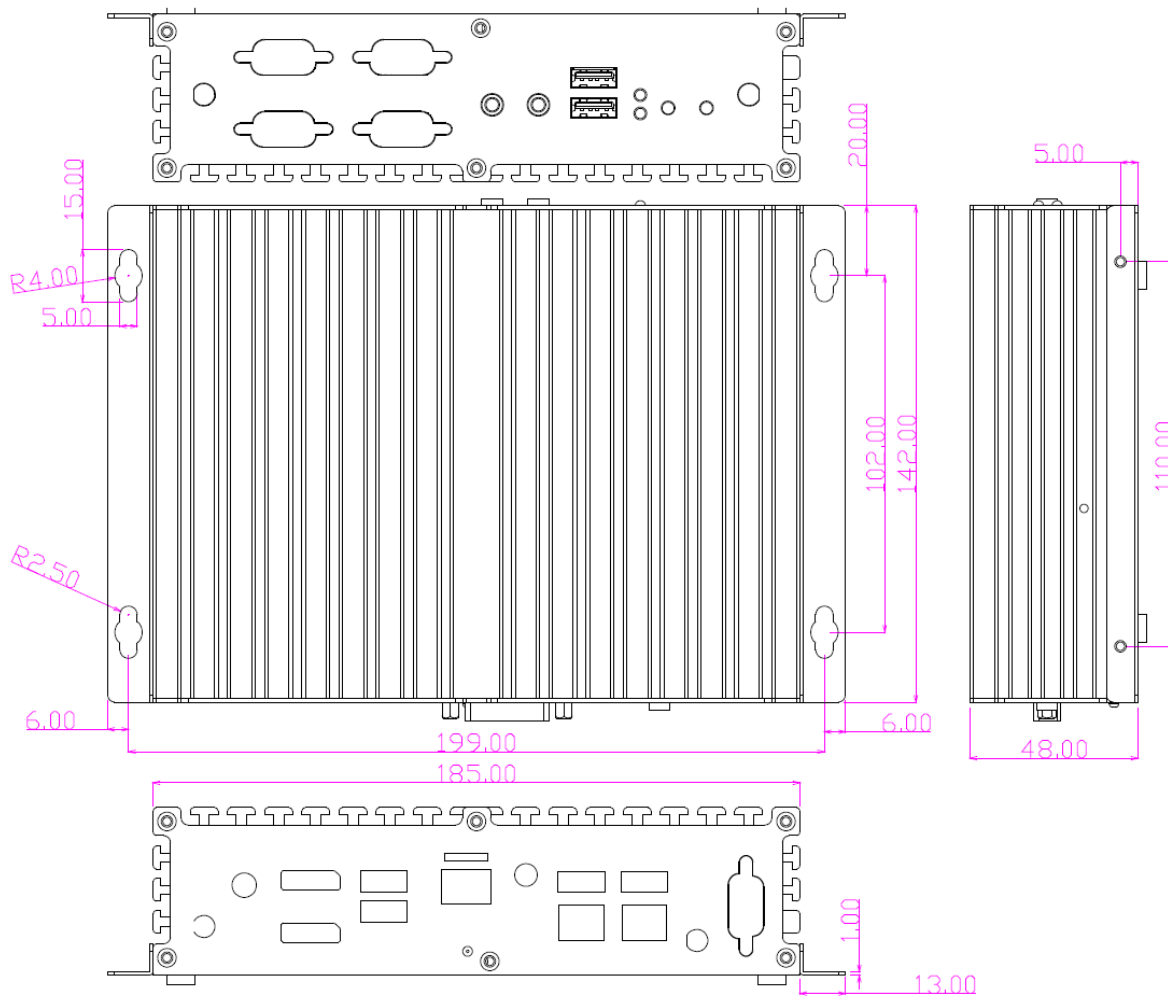


Specifications

M/B Model	<ul style="list-style-type: none"> ● JNF631B-3350 / 3.5" SBC ● JNF631B-4200 / 3.5" SBC ● JNF631B-3455 / 3.5" SBC
Part No	<ul style="list-style-type: none"> ● HBJC377F631-3550B (non-WIFI) / HBJC377F631W3550B (WIFI) ● HBJC377F631-4200B (non-WIFI) / HBJC377F631W4200B (WIFI) ● HBJC377F631-3455B (non-WIFI) / HBJC377F631W3455B (WIFI)
CPU/Chipset	<ul style="list-style-type: none"> ● Intel® Apollo lake SoC Processor (Max. TDP 10W)
Memory	<ul style="list-style-type: none"> ● 1 * SO-DIMM slot DDR3L-1600MHz, up to 8GB
Storage	<ul style="list-style-type: none"> ● 1 * 2.5" SATAIII 6Gb/s internal drive bay (Max. Height 9.5 mm) ● 1 * M.2 SSD Device (M-key, 2242) ● 1 * Micro SD card slot
Network	<ul style="list-style-type: none"> ● 2 * Intel® i211AT GbE ● 1* SIM Card slot
Expansion slot	<ul style="list-style-type: none"> ● 1 * full-size Mini PCIe slot (for WiFi expansion)
Rear Panel I/O	<ul style="list-style-type: none"> ● 4 * USB 3.0 ● 2 * DP (Max. resolution:4096 x 2160@60Hz) ● 2 * RJ45 ● 1 * DC-in jack ● 1 * RS232 (RJ45 type) ● 1 * Micro SD ● 1 * Audio (Line out + MIC)
Front Panel I/O	<ul style="list-style-type: none"> ● 1 * Power button , 1 * Reset button ● 1 * Power LED , 1 * HDD LED ● 2 * USB 2.0 ports ● 1 * Line-out ● 2 * COM
Power Source	<ul style="list-style-type: none"> ● DC Adapter / AC 90~240V input / DC12V-5A-60W / LV6
Compliance	<ul style="list-style-type: none"> ● CE, FCC, LVD, RoHS
Safety	<ul style="list-style-type: none"> ● Vibration test: N.C ● Shock test: N.C
Temperature	<ul style="list-style-type: none"> ● Operating Temperature: 0~50° C ● Storage Temperature: -10~70° C
Dimensions	<ul style="list-style-type: none"> ● 185 (W) x 142 (D) x 48 (H) mm
Packing	<ul style="list-style-type: none"> ● Net Weight: 1.4KG ● Gross Weight: 2.4KG ● Color Box dimension: 250 (W) * 118 (D) * 295 (H) mm
OS Support	<ul style="list-style-type: none"> ● Windows 10, Linux
Warranty	<ul style="list-style-type: none"> ● 2 Years limited warranty

*Specifications subject to change without notice, not responsible for typographical errors. Does not include HDD or OS.

Mechanical Drawings (Unit = mm)



Optional Accessories

Parts Number	Description
	HBJCF631(W)-3350B
L01AS037-F	Adapter 12V/5A_60W / LEVEL6
Change according to shipping area	Power cord
LCSCHBJC3XX-F	Screw pack
HCS370MWM01B-2-F	Wall mount Kit
HCS3XXDINRAILPS-F	DIN Rail Clip
J05-ANT-AN2400-F	Antenna2G4 -2dBi R-AN2400-5701RS (WiFi model only)