



HBJC377F531M-316B Series

Fanless Embedded System

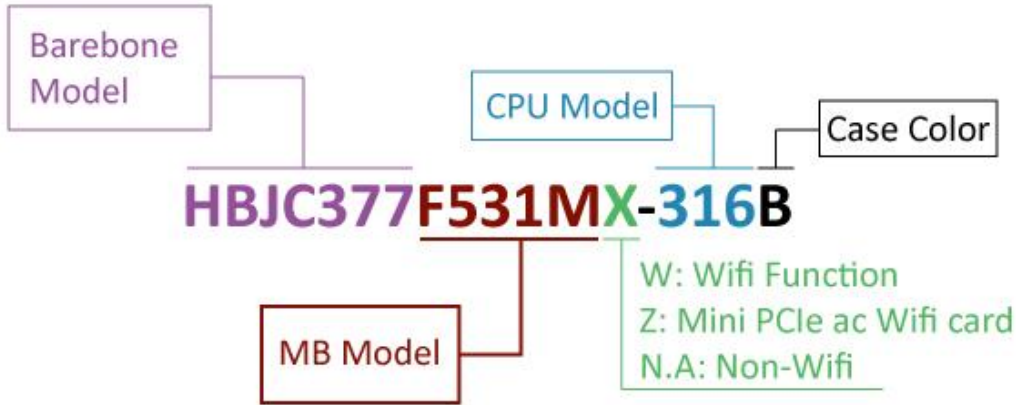


Specifications:

■ Dimension	■ 185(W) * 142(H) * 48(D) mm		
■ Construction	■ Aluminum housing		
■ Colors	■ Black		
■ MB model	■ JNF531M-3160 (3.5" SBC)		
■ Part Number	Non-Wifi	Mini PCIe b/g/n Wifi	Mini PCIe ac Wifi card
	HBJC377F531M-316B (Default)	HBJC377F531MW-316B	HBJC377F531MZ-316B
■ CPU	■ Intel® Braswell N3160 1.6GHz, (TDP 6W)		
■ BIOS	■ AMI 64Mb Flash ROM		
■ Memory	■ Support 1 * DDR3L 1600MHz SODIMM slot (Max. 8GB)		
■ Storage Space	■ Support 1 * 2.5" SATA Drive bay (Max. Height 9.5 mm)		
	■ Support 1 * M.2 SSD Device (M-key, 2242)		
■ Front I/O Port	■ 2 * USB 2.0		
	■ 2 * COM (COM1 supports RS232/422/485, setting by BIOS)		
■ Rear I/O Port	■ 4 * USB 3.0		
	■ 2 * RJ45		
	■ 1 * COM (RJ-45 Type)		
	■ 1 * HDMI (Max. Resolution: 3840 * 2160@30Hz, 2560 * 1600@60Hz)		
	■ 1 * DP (Max. Resolution: 3840 * 2160@30Hz, 2560 * 1600@60Hz)		
■ Expansion Interface	■ Mini PCIe # 1 : half-size (for WiFi+BT)		
■ Power Source	■ 12V Lockable DC-in jack		
	■ Adapter : AC_90~240V / DC_12V_5A / 60W		
■ Certification	■ EMC : CE , FCC		
	■ Safety : RoHS , ErP		
■ Environment	■ Operating Temperature : 0 ~ 50°C		
	■ Storage Temperature : -10 ~ 70°C		
■ Mounting	■ Wall mounting Kits		

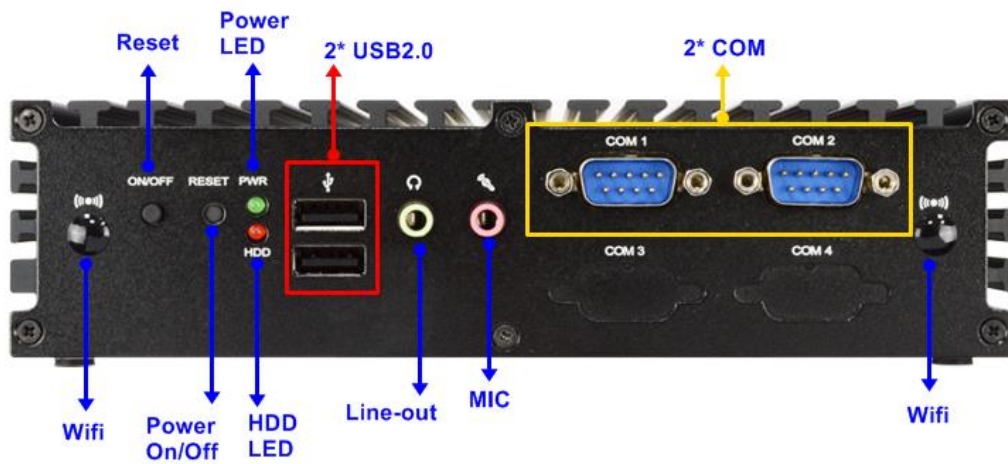
- | | |
|---|---|
| <ul style="list-style-type: none"> ■ Packing ■ Warranty | <ul style="list-style-type: none"> ■ Net Weight : 1.4KG ■ Gross Weight : 2.7KG ■ Color Box Dimension : 250(W) x 118 (D) x 295 (H) mm ■ 2 Years limited warranty |
|---|---|

Part Number Rule :

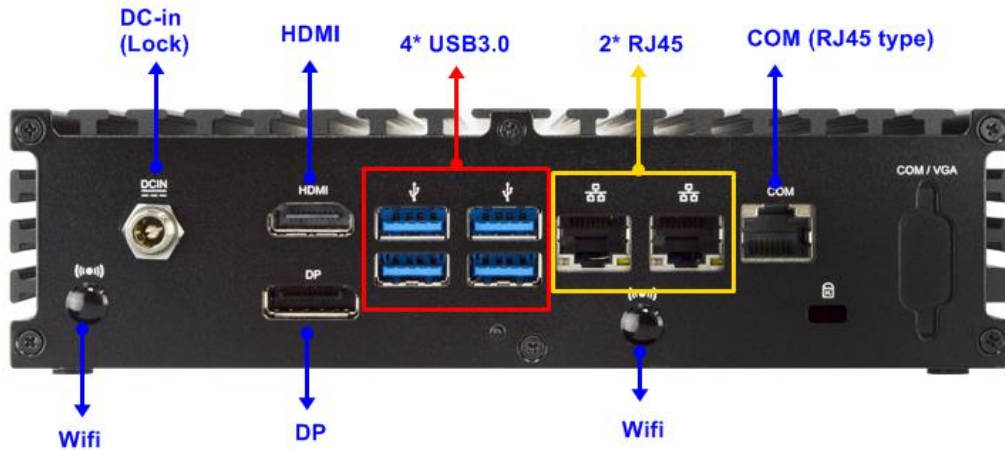


External I/O :

Front



Rear



Parts Number	Description
-----	HBJC377F531M Series
L01AS036-F	Adapter 12V/5A_60W / LEVEL 6
Change according to shipping area	Power cord
LCSCHBJC3XX-F	Screw pack
G01-COM-H2M20-1F	COM Cable , L=240mm
HCS370MWM01B-2-F	Wall mount Kit
HCS3XXDINRAILPS-F	DIN Rail Clip
HNSCOMWFAWCB161HF	Mini PCIe ac Wifi card (HBJC377F531MZ-316B only)