



## HBJC377F531M(W)-316B

Fanless Embedded System



### Specifications:

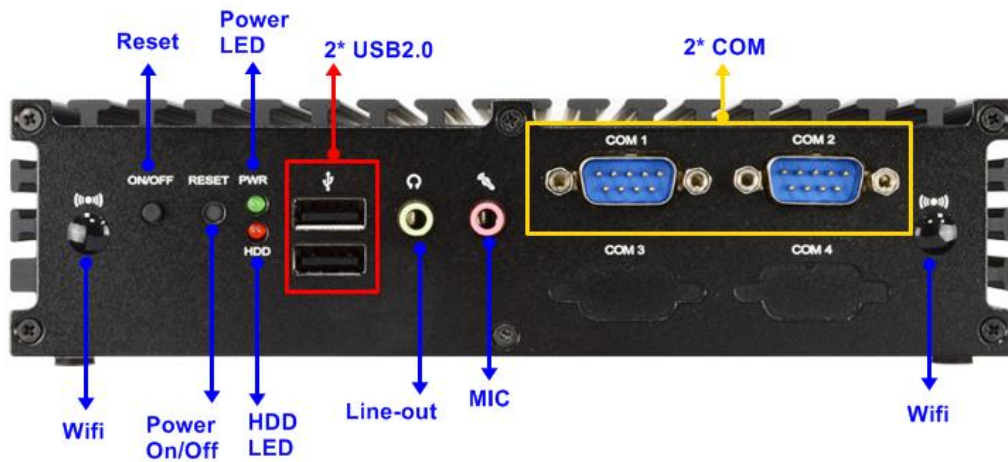
■ Dimension (W*H*D)	■ 185 * 142 * 48 mm
■ Construction	■ Aluminum housing
■ Colors	■ Black
■ MB model	■ JNF531M-3160 (3.5" SBC)
■ CPU	■ Intel® Braswell N3160 1.6GHz, (TDP 6W)
■ BIOS	■ AMI 64Mb Flash ROM
■ Memory	■ Support 1* DDR3L 1600MHz SODIMM slot (Max. 8GB)
■ Storage Space	■ Support 1 * 2.5" SATA Drive bay (Max. Height 9.5 mm) ■ Support 1 * M.2 SSD Device (M-key, 2242)
■ Front I/O Port	■ 2 * USB 2.0 ■ 2 * COM (COM1 supports RS232/422/485, setting by BIOS)
■ Rear I/O Port	■ 4 * USB 3.0 ■ 2 * RJ45 ■ 1 * COM (RJ-45 Type) ■ 1 * HDMI (Max. Resolution: 3840 * 2160@30Hz, 2560 * 1600@60Hz) ■ 1 * DP (Max. Resolution: 3840 * 2160@30Hz, 2560 * 1600@60Hz)
■ Expansion Interface	■ Mini PCIe # 1 : half-size (for WiFi+BT)
■ Power Source	■ 12V Lockable DC-in jack ■ Adapter : AC_90~240V / DC_12V_5A / 60W
■ Certification	■ EMC : CE , FCC ■ Safety : RoHS , ErP
■ Environment	■ Operating Temperature : 0 ~ 50°C ■ Storage Temperature : -10 ~ 70°C
■ Mounting	■ Wall mounting Kits
■ Packing	■ Net Weight : 1.4KG ■ Gross Weight : 2.7KG ■ Color Box Dimension : 250(W) x 118 (D) x 295 (H) mm

■ Warranty

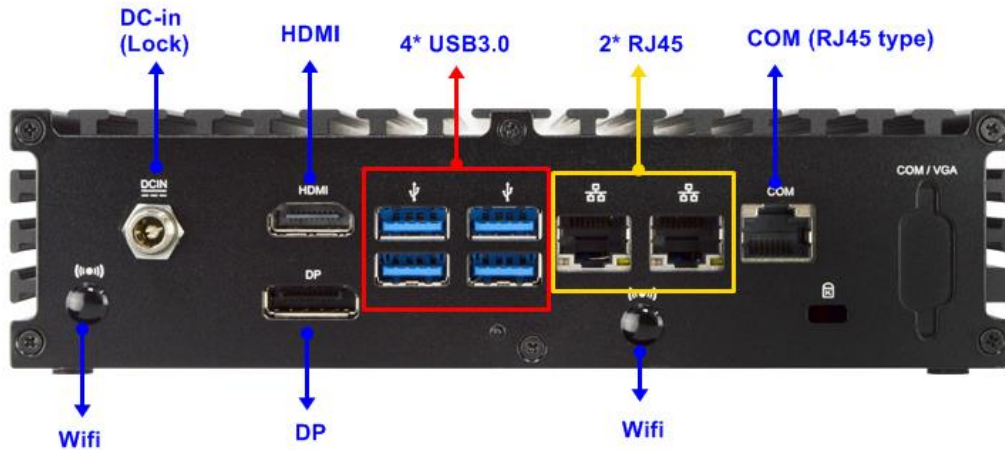
■ 2 Years limited warranty

**External I/O :**

**Front**



**Rear**



Parts Number	Description
-----	HBJC377F531 SERIES
L01AS036-F	Adapter 12V/5A_60W / LEVEL 6
Change according to shipping area	Power cord
LCSCHBJC3XX-F	Screw pack
G01-COM-H2M20-1F	COM Cable , L=240mm
HCS370MWM01B-2-F	Wall mount Kit
HCS3XXDINRAILPS-F	DIN Rail Clip