

Intel® Braswell N3160 SoC Processor, Support DDR3L 1600MHz up to 8GB

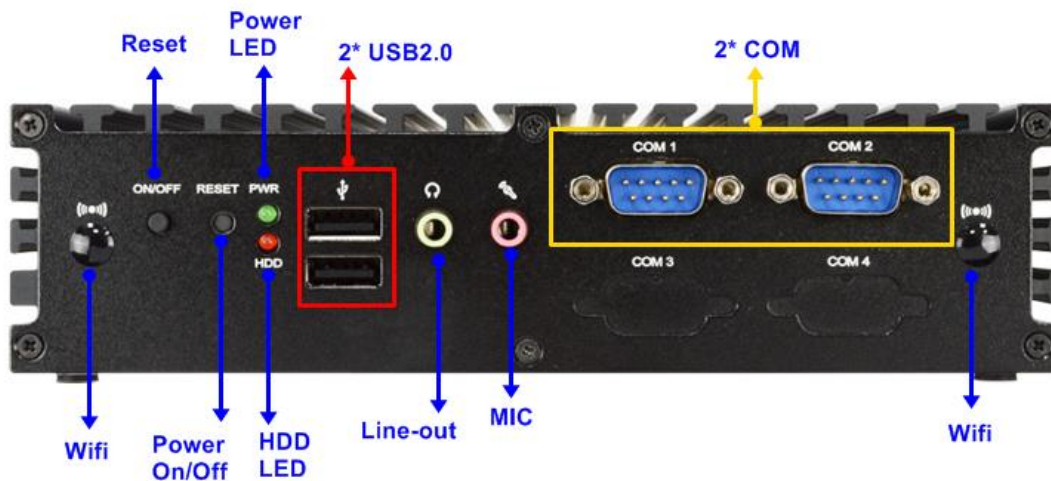
Features

1. Intel® Braswell N3160 SoC Processor
2. 1* DDR3L 1600MHz SO-DIMM up to 8GB
3. 1* M.2 (M-key 2242) slot, 1* mini-PCIe slot
4. 6* USB, 5* COM, 1* HDMI, 1* DP, 2* LAN, 1* MIC, 1*LINE OUT

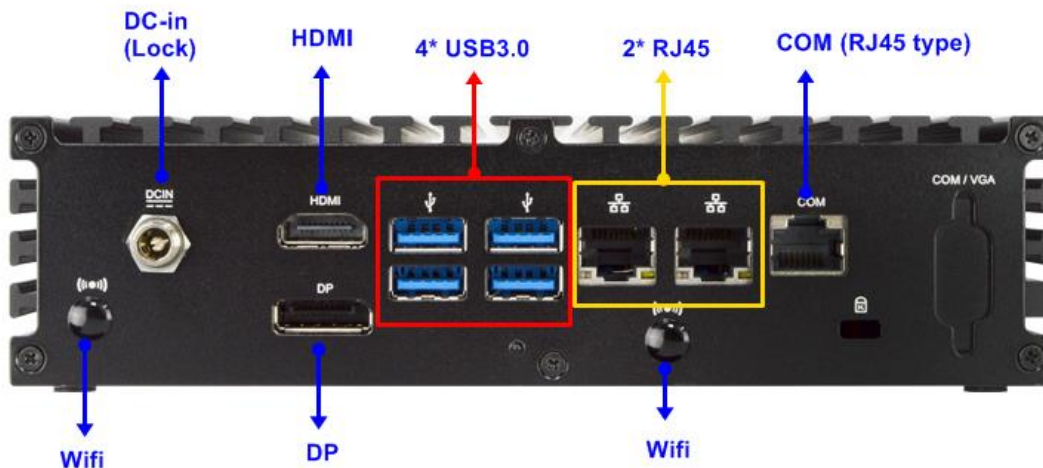


intel. FC CE RoHS COMPLIANT

Front I/O



Rear I/O



Specifications

Model

- HBJC377F531-316R
- HBJC377F531Z-316R

BIOS

AMI 64Mb Flash ROM

Network

2* Realtek RTL8119I GbE

Storage

- 1* M.2 M-key (2242, SATA interface)
- 1* 2.5" SATA Device (support 2.5" HDD with a height ≤ 10mm)

Rear Panel I/O

- 4* USB 3.0
- 2* RJ45
- 1* COM (RJ-45 type)
- 1* HDMI
- 1* DP
- 1* DC JACK (lockable)

Internal Connector

- Onboard TPM2.0 (option)

Compliance

CE, FCC, RoHS, ErP Ready

Temperature

- Operating Temperature: 0 ~ 50° C
- Storage Temperature: -40 ~ 85° C
- Humidity : 10%~95% @40° C (non-condensing)

OS Support

Windows 7/10/11, Linux

Warranty

2 Years limited warranty

* Specifications subject to change without notice, not responsible for typographical errors. Does not include HDD or OS.

CPU / Chipset

Intel® Braswell N3160 Processor 1.6GHz (TDP 6W)

Memory

1* DDR3L 1600MHz SO-DIMM up to 8GB

Graphics

- Intel® HD Graphics, shared memory
- 1* DP (Max Resolution: 2560×1600@60Hz)
- 1* HDMI (Max Resolution: 2560×1600@60Hz)
- Support Dual Displays

Expansion

- 1* Mini-PCIe half size (for Wifi+BT)

Front Panel I/O

- 2* USB 2.0
- 4* COM (Max)

Power Source

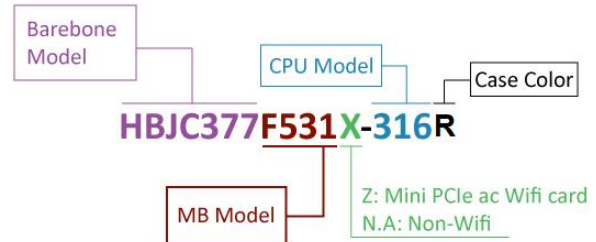
- MB : DC 9~36V input
- Adapter : AC_90~240V / DC_12V_5A / 60W

Dimensions

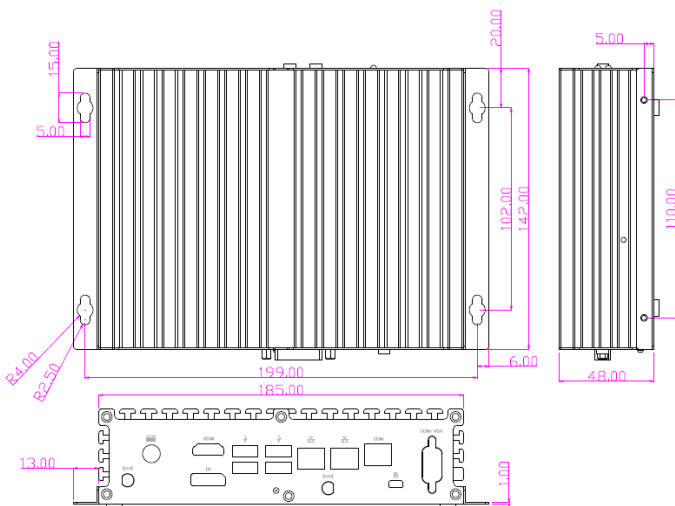
System: 185 (W) x 142 (D) x 48 (H) mm

Box: 250 (W) x 118 (D) x 295 (H) mm

Part Number Rules



Mechanical Drawings (Unit=mm)



Ordering Info

Part Number	Description
	HBJC377F531-316R Series
L01AS052-F	Adapter 12V/5A_60W
Change according to shipping area	Power cord
LCSCHBJC3XX-F	Screw pack
G01-COM-H2M20-1F	COM Cable , L=240mm
HCS370MWM01B-2-F	Wall mount Kit
HCS3XXDINRAILPS-F	DIN Rail Clip
HNSCOMWFAWCB161HF	Mini PCIe ac Wifi card (HBJC377F531Z-316R only)