



HBJC366R3399-2C

Rockchip® RK3399 ARM SoC, 1* HDMI, 2* USB3.0, 6* USB2.0, 2* RJ45

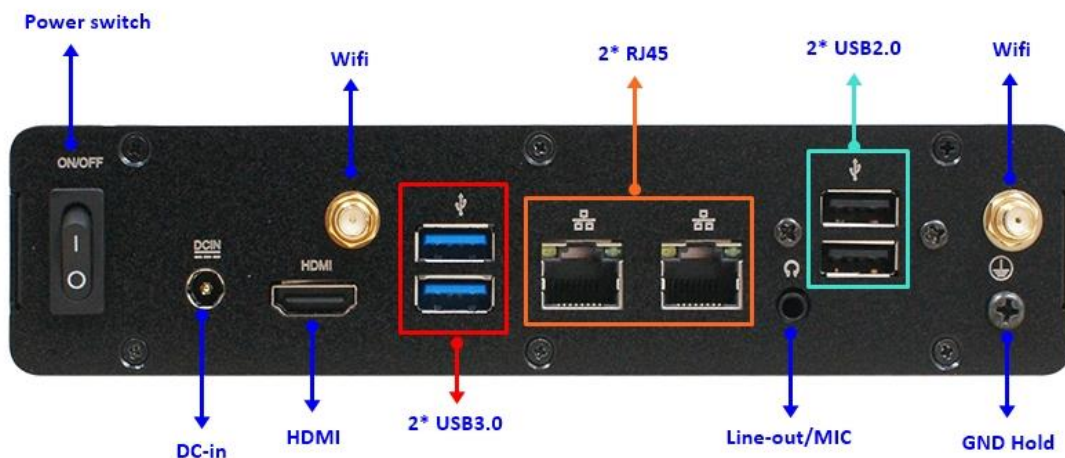


1. Rockchip® ARM Cortex A72 (Dual core) + Cortex A53 (Quad core) RK3399 SoC Processor
2. Onboard 2GB 1333MHz DDR3L DRAM
3. Onboard 16GB EMMC
4. 1* HDMI, 2* USB3.0, 6* USB2.0, 1* GbE, 1*10/100Mbps LAN, 1* Audio Jack, 1* DC Jack, 1* Power Button
5. M/B Form Factor: 3.5" SBC (148x102mm)
6. 12V DC in
7. Support Android 7.1, Debian9.0



External I/O

Rear



Front



Specifications

MB Model	JR3399XH-2C
Part No	HBJC366R3399-2C
CPU/Chipset	Rockchip® ARM Cortex A72(Dual core) + Cortex A53 (Quad core) RK3399 6 CORE 2.0GHz
Memory	Onboard 1333MHz 2GB DDR3L DRAM Max.2GB
Storage	Onboard 16GB eMMC Max. 64GB
Network	<ul style="list-style-type: none"> ● 1* Realtek RTL8211E GbE, ● 1* Realtek RTL8152B-VB 10/100Mbps ● Support WiFi & Bluetooth (802.11 a/b/g/n/ac 2.4/5G WIFI and BT-V5.0)
Rear Panel I/O	<ul style="list-style-type: none"> ● 2* USB 3.0 (1* OTG-Option) ● 2* USB 2.0 ● 1* HDMI (Max. Resolution: 3840 x 2160@60Hz) ● 2* RJ45 ● 1* Audio Jack (Line-out +MIC) ● 2* Antenna
Front Panel I/O	<ul style="list-style-type: none"> ● 4* USB 2.0 ● 2* RS232 ● 1* Micro SD ● 1* SIM Card socket ● 2* Antenna
Power Source	DC in 12V
Compliance	CE, FCC, RoHS, REACH Ready (Option)
Temperature	Operating Temperature: -10 ~ 60°C Storage Temperature: -20 ~ 70 °C
Dimensions	184 (W) x 106 (D) x 44 (H) mm
Packing	<ul style="list-style-type: none"> ● Net Weight: KG ● Gross Weight: KG ● Color Box dimension:
OS Support	Android 7.1, Debian9.0
Warranty	2 Years limited warranty

*Specifications subject to change without notice, not responsible for typographical errors. Does not include HDD or OS.

OS Support List

SKU	Android	Linux
RK3128	5.1	
RK3288	9.0	Debian 9.0
RK3328	7.1	
RK3399	7.1	Debian 9.0

Mechanical Drawings (Unit = mm)

