



HBJC323U691 Series

Intel® Apollo Lake SoC Processor, DDR3L 1600MHz up to 8GB

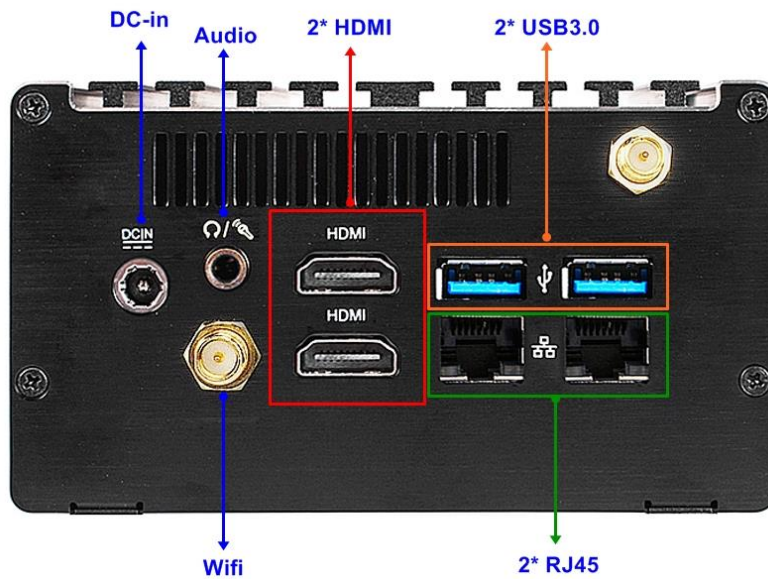


1. Intel Apollo Lake SoC Processor
2. 1 * SO-DIMM DDR3L up to 8GB
3. 4 * USB3.0, 1 * COM, 1 * VGA, 2 * HDMI, 2 * RJ45, 1 * Audio (MIC + Line-out)
4. M/B Form Factor: NUC (101x101mm)
5. DC-12V_40W Adapter

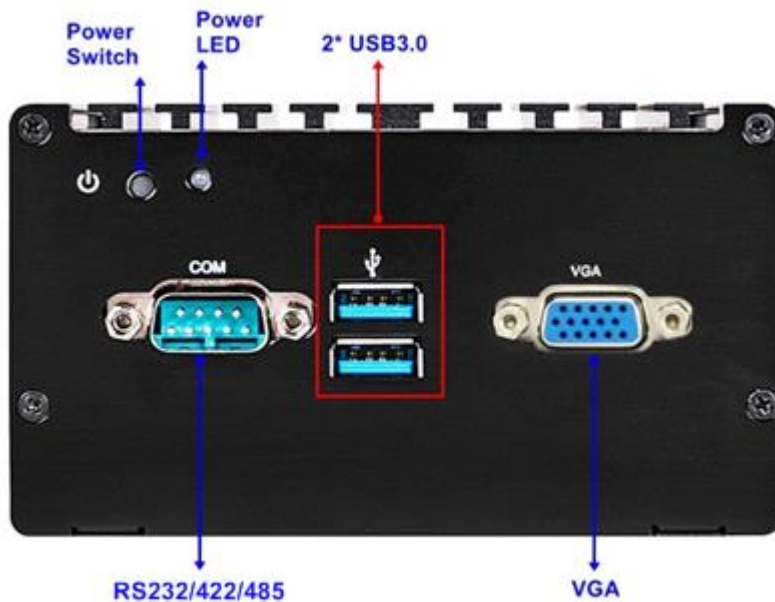


External I/O

Rear



Front

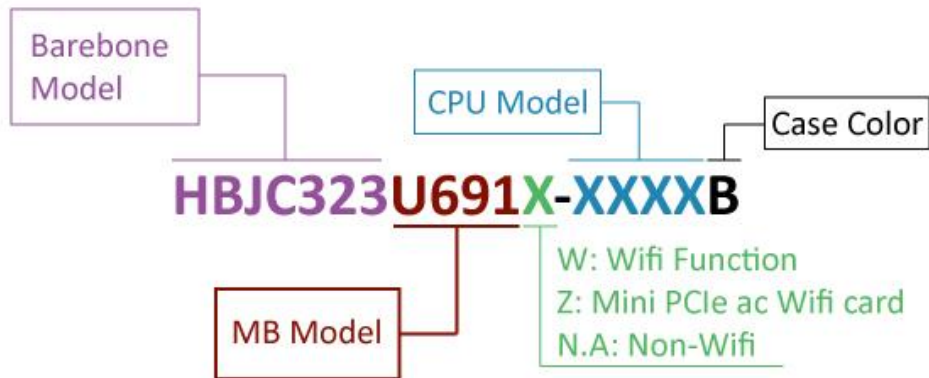


Specifications

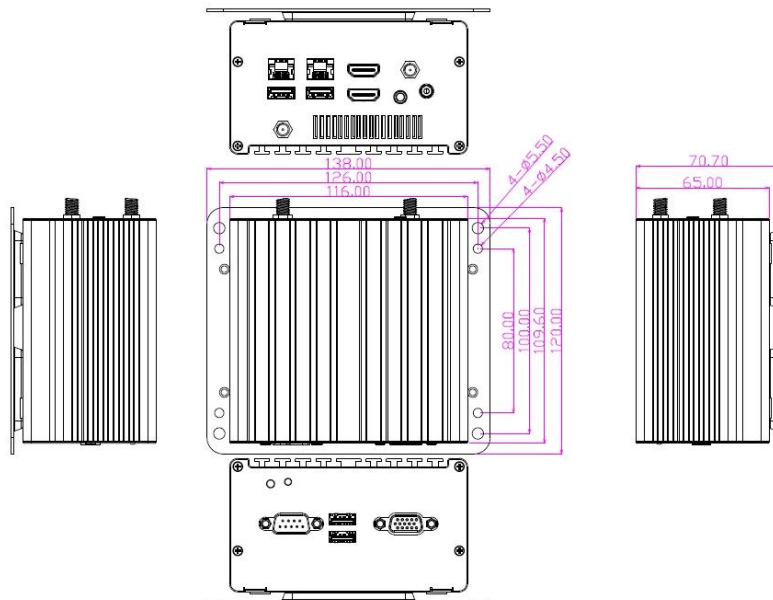
MB Model	JNU691B-3350 / NUC (101 X 101 mm) JNU691B-3455 (Default) / NUC (101 X 101 mm)		
Part No	Non-Wifi	Mini PCIe b/g/n Wifi	Mini PCIe ac Wifi card
	<ul style="list-style-type: none"> ● HBJC323U691-335B ● HBJC323U691-345B (Default) 	<ul style="list-style-type: none"> ● HBJC323U691W-335B ● HBJC323U691W-345B 	<ul style="list-style-type: none"> ● HBJC323U691Z-335B ● HBJC323U691Z-345B
BIOS	<ul style="list-style-type: none"> ● AMI 128MB SMT Flash ROM 		
CPU/Chipset	<ul style="list-style-type: none"> ● INTEL® Apollo Lake N3350 SoC processor (TDP : 6W) ● INTEL® Apollo Lake J3455 SoC processor (TDP : 10W) 		
Memory	<ul style="list-style-type: none"> ● 1 * DDR3L-1866MHz SO-DIMM up to 8GB 		
Storage	<ul style="list-style-type: none"> ● 1 * Full-size mSATA/Mini-PCI Express shared slot ● 1 * 2.5" SATA Drive (only support 2.5" HDD with a height ≤ 10mm) 		
Network	<ul style="list-style-type: none"> ● 2 * GbE ● 1 * Half-size Mini-PCIE slot (for Mini-PCIE WIFI module) ● 1 * SIM Card 		
Rear Panel I/O	<ul style="list-style-type: none"> ● 2 * USB 3.0 ● 2 * HDMI 1.4 (max. 3840x2160@30Hz resolution) ● 1 * VGA (max. 1920x1200@60Hz resolution) ● 2 * RJ45 ● 1 * Audio (Line-out + MIC Combo) ● 2 * Antenna holes ● 12V DC in Jack 		
Front Panel I/O	<ul style="list-style-type: none"> ● 1 * Power button ● 1 * Power LED ● 2 * USB 3.0 ● 1 * COM (RS232/422/485) 		
Power Source	<ul style="list-style-type: none"> ● AC-DC Adapter / DC12V-3.3A-40W ● AC 90~240V input 		
Compliance	CE, FCC, RoHS, ErP Ready		
Temperature	Operating Temperature: 0~50 °C (with air flow mSATA) Storage Temperature: -10-70 °C		
Dimensions	116 (W) x 110 (D) x 65 (H) mm		
Packing	<ul style="list-style-type: none"> ● Net Weight: 0.9KG ● Gross Weight: 1.6KG ● Color Box dimension: 158 (W) * 164 (D) * 123.6 (H) mm 		
OS Support	Windows 10, Linux		
Warranty	2 Year limited warranty		

*Specifications subject to change without notice, not responsible for typographical errors. Does not include HDD or OS.

Part Number Rule



Mechanical Drawings (Unit = mm)



Accessories

Parts Number	Description
-----	HBJC323U691 Series
HCS310MWM01B-2F	JC3XX/4XX Wall+VESA mount
L01AS050-F	Adapter 12V/3.3A 40W
Change according to shipping area	Power cord
LCSCHBJC3XX-F	JBC3XX Barebone Screw Pack
J05-ANT-AN2400-F	Antenna2G4 -2dBi R-AN2400-5701RS (Wifi series only)
HCS3XXDINRAILPS-F	Din Rail Clip
HNSCOMWFAWCB161HF	Mini PCIe ac Wifi card (HBJC323U691Z series only)

Tel: +886-2-89132711 E-mail: sales@jetway.com.tw Web: www.jetwayipc.com
Support: technic@jetway.com.tw or support_team@jetway.com.tw