



HBJC153F9HG Series



1. Intel® Bay Trail – M/D/I Processor
2. 2 * SO-DIMM DDR3L 1333MHz up to 8GB
3. 1 * USB3.0, 4 * RJ45 , 1 * VGA, 2 * COM, 1 * GPIO
4. M/B Form Factor : Mini ITX (170x170mm)
5. AC 90~240V_200W FLEX PSU

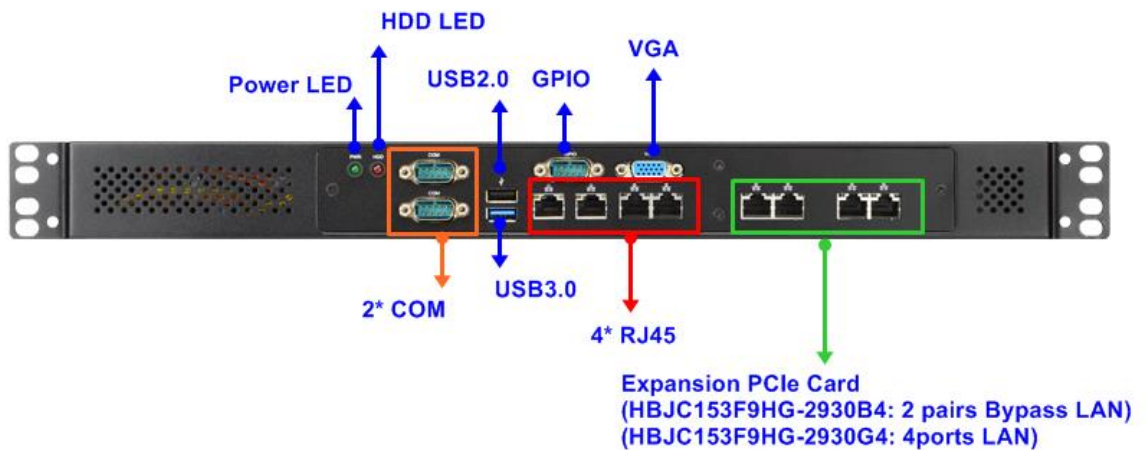


External I/O

Rear



Front

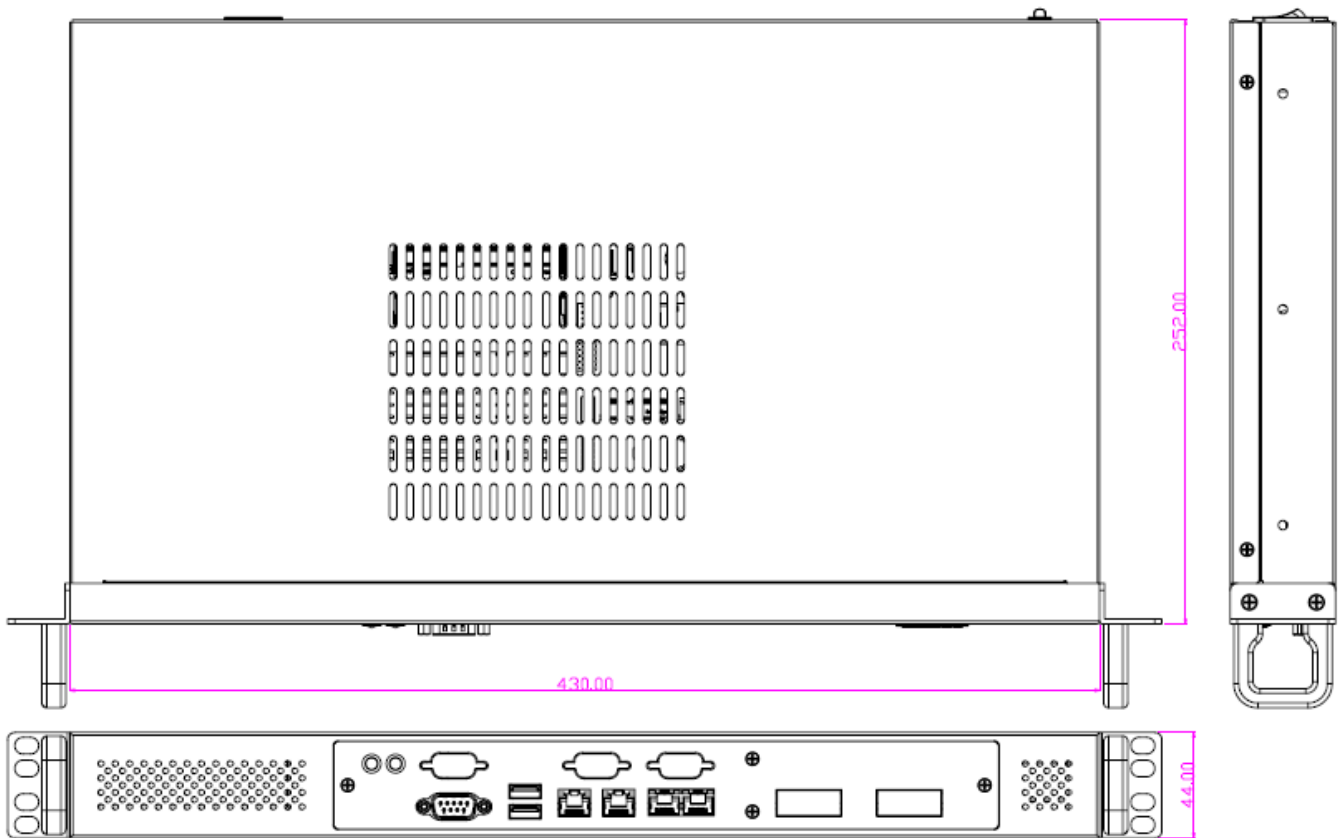


Specifications

MB Model	JNF9HG-2930 / MINI-ITX		
Part No	Standard	Expansion 4 ports LAN PCI-E Card	2 Paris of Bypass LAN
	- HBJC153F9HG-2930-B	- HBJC153F9HG-2930G4	- HBJC153F9HG-2930B4
BIOS	AMI 64MB SMT Flash ROM		
CPU/Chipset	● Intel® Bay Trail – M/D/I Processor (2930)		
Memory	2 * SO-DIMM slots DDR3L 1333/1066MHz up to 8GB		
Storage	<ul style="list-style-type: none"> ● 2 * 2.5" SATA HDD ● 1 * Full-size mSATA/mini-PCI Express shared slot 		
Expansion	<ul style="list-style-type: none"> ● 1 * Full size Mini-PCIE ● 1 * SIM Card Slot ● Support TPM (optional) 		
Network	<ul style="list-style-type: none"> ● 4 * Intel i211AT Gigabit LAN ● 1 * Full-size mini-PCIE slot (802.11 b/g/n + BT 4.0 installed in WIFI model) 		
Rear Panel I/O	<ul style="list-style-type: none"> ● 1 * Power SWITCH ● AC input / 1U FLEX 200W Power build in 		
Front Panel I/O	<ul style="list-style-type: none"> ● 4 * RJ45 ● 1 * USB3.0 ● 1 * USB2.0 ● 1 * VGA ● 2 * COM ● 1 * PW LED , 1 * Alarm LED ● 1 * GPIO (Not assembled when shipped, wire placed in the parts box) <p>Expansion 4 ports LAN PCI-E Card: HBJC153F9HG-2930G4</p> <p>Expansion 2 pairs of Bypass LAN PCI-E Card: HBJC153F9HG-2930B4</p>		
Power Source	<ul style="list-style-type: none"> ● 1U FLEX 200W Power build in ● AC 90~240V input 		
Compliance	CE, FCC, RoHS		
Temperature	<p>Operating Temperature: 0 ~ 40° C</p> <p>Storage Temperature: -10 ~ 70° C</p>		
Dimensions	430 (W) x 252 (D) x 44 (H) mm		
Packing	<ul style="list-style-type: none"> ● Net Weight: 4.2KG ● Gross Weight: 5KG ● Color Box dimension: 560 (W) * 400 (D) * 380 (H) mm 		
OS Support	Windows 7, Windows 8.1, Windows 10, Linux		
Warranty	2 Year limited warranty		

*Specifications subject to change without notice, not responsible for typographical errors. Does not include HDD or OS.

Mechanical Drawings (Unit = mm)



Optional Accessories

Parts Number	Description
-----	HBJC153F9HG SERIES
G03-NF9HB-F	IPC NF9HB Manual
G03-JC153QIG02-F	HBJC153 QIG
G02-DVD20-A13-WF	MiniITX INTEL Baytrail DVD
G01-VGA2-18K16-F	VGA CABLE/ L=18cm
G01-GPIO9-M30-F	GPIO CABLE COM9/M L=30cm
-----	Power cord
LCSCJC150-F	Screw Pack