



HBJC153F692 Series



1. Intel® Apollo Lake N3350/N4200/J3455 SoC Processor
2. 1 * Dual CH DDR3L 1866MHz SO-DIMM up to 8GB
3. 2 * USB3.0, 6 * GbE, 1 *RS232(RJ45 type)
4. M/B Form Factor: Mini ITX (170x170mm)
5. 1U FLEX POWER_200W

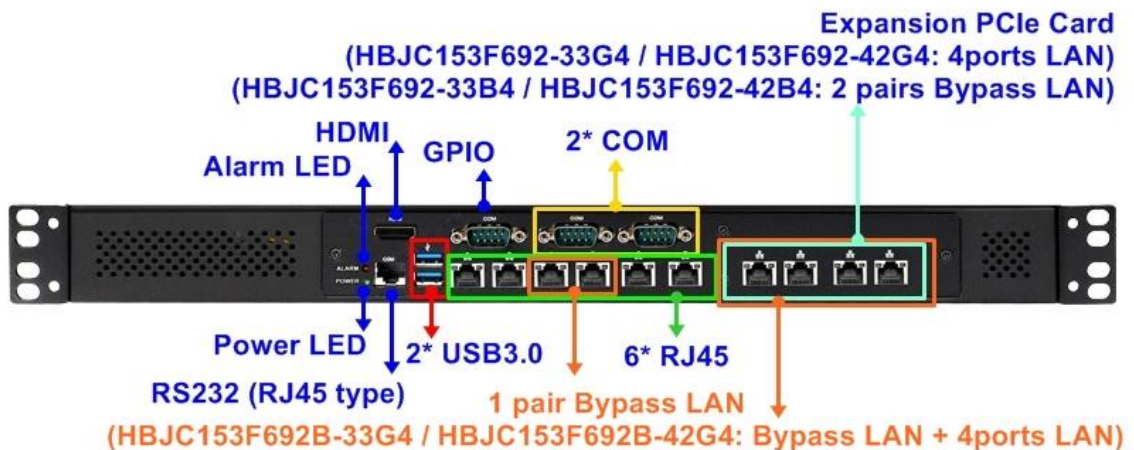


External I/O

Rear



Front

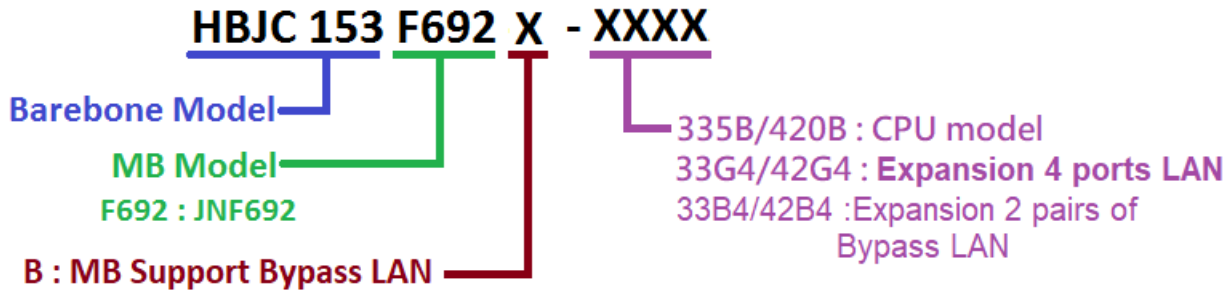


Specifications

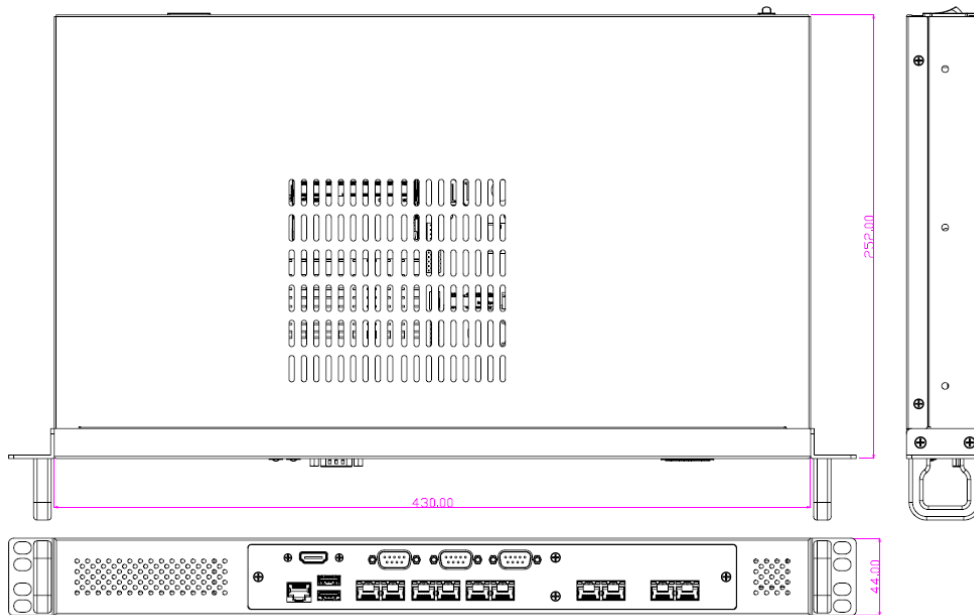
| | | | | |
|----------------------------|---|--|---|--|
| MB Model | <ul style="list-style-type: none"> ● JNF692G6-335 / JNF692G6-420 / JNF692G6-345 (Mini-ITX) ● JNF692G6-335B1 / JNF692G6-420B1 / JNF692G6-345B1 (Mini-ITX/1 pair support Bypass LAN) | | | |
| Part No | Bypass LAN | Expansion 4 ports LAN PCIe card | Bypass LAN+Expansion 4 ports LAN PCIe card | 2 Paris of Bypass LAN |
| | - HBJC153F692B-335B - HBJC153F692B-420B - HBJC153F692B-345B | - HBJC153F692-33G4 - HBJC153F692-42G4 - HBJC153F692-34G4 | - HBJC153F692B-33G4 - HBJC153F692B-42G4 - HBJC153F692B-34G4 | - HBJC153F692-33B4 - HBJC153F692-42B4 - HBJC153F692-34B4 |
| BIOS | AMI 128MB SMT Flash ROM | | | |
| CPU/Chipset | Intel® Apollo Lake N3350/N4200/J3455 SoC Processor | | | |
| Memory | Support 1 * DDR3L 1866MHz SO-DIMM up to 8GB | | | |
| Storage | <ul style="list-style-type: none"> ● Support 1 * 2.5" SATAIII 6Gb/s internal drive bay (only support 2.5" HDD with a high ≤ 10mm) ● Support 1 * full-size mSATA/Mini-PCI Express shared slot | | | |
| Expansion | <ul style="list-style-type: none"> ● 1 * full size Mini-PCIe ● 1 * SIM card slot | | | |
| Network | <ul style="list-style-type: none"> ● 6 * Intel i211AT GbE ● 1 * full-size Mini-PCIe slot (802.11 b/g/n + BT 4.0 installed in WiFi model) | | | |
| Rear Panel I/O | <ul style="list-style-type: none"> ● 1 * Power switch ● AC INPUT / 1U FLEX 200W Power build in | | | |
| Front Panel I/O | <ul style="list-style-type: none"> ● 6 * RJ45 ● 2 * USB3.0 ● 1 * RS232 (RJ45 type) ● 1 * PW LED, 1 * Alarm LED ● 1 * HDMI (Not assembled when shipped, wire placed in the parts box) ● 1 * GPIO (Not assembled when shipped, wire placed in the parts box) ● 2 * COM (optional- RS232/422/485) ● 4 ports GbE PCIe expansion card: HBJC153F692-33(42/34)G4 ● 2 pairs of Bypass LAN PCIe expansion card: HBJC153F692-33(42/34)B4 | | | |
| Power Source | <ul style="list-style-type: none"> ● 1U FLEX 200W Power build in ● AC 90~240V input | | | |
| Compliance | CE, FCC, RoHS | | | |
| Temperature | <ul style="list-style-type: none"> ● Operating Temperature: 0 ~ 40° C ● Storage Temperature: -10 ~ 70° C | | | |
| Dimensions | 430 (W) x 252 (D) x 44 (H) mm | | | |
| Packing | <ul style="list-style-type: none"> ● Net Weight: 4.2KG ● Gross Weight: 5KG ● Color Box dimension: 560 (W) * 400 (D) * 380 (H) mm | | | |
| OS Support | Windows 10, Linux | | | |
| Warranty | 2 Years limited warranty | | | |

*Specifications subject to change without notice, not responsible for typographical errors. Does not include HDD or OS.

Part Number Rule



Mechanical Drawings (Unit = mm)



Optional Accessories

| Parts Number | Description |
|-----------------------------------|-----------------------------------|
| ----- | HBJC153F692 SERIES |
| G01-2X10A-HDMI-F | HDMI cable/ L=25cm |
| G01-GPIO9-M30-F | GPIO cable COM9/M L=30cm |
| HCSMIPCIWIFIB-F | Mini-PCIe WiFi Card Extended iron |
| Change according to shipping area | Power cord |
| LCSCJC150-F | Screw pack |