

HBFHP792X Series



The HBFHP792X series is a ruggedized fanless automation PC. The DIN-rail mounting bracket is suitable to be used in control cabinet for industrial automation application. There are four models that can choose according to IO requirements.



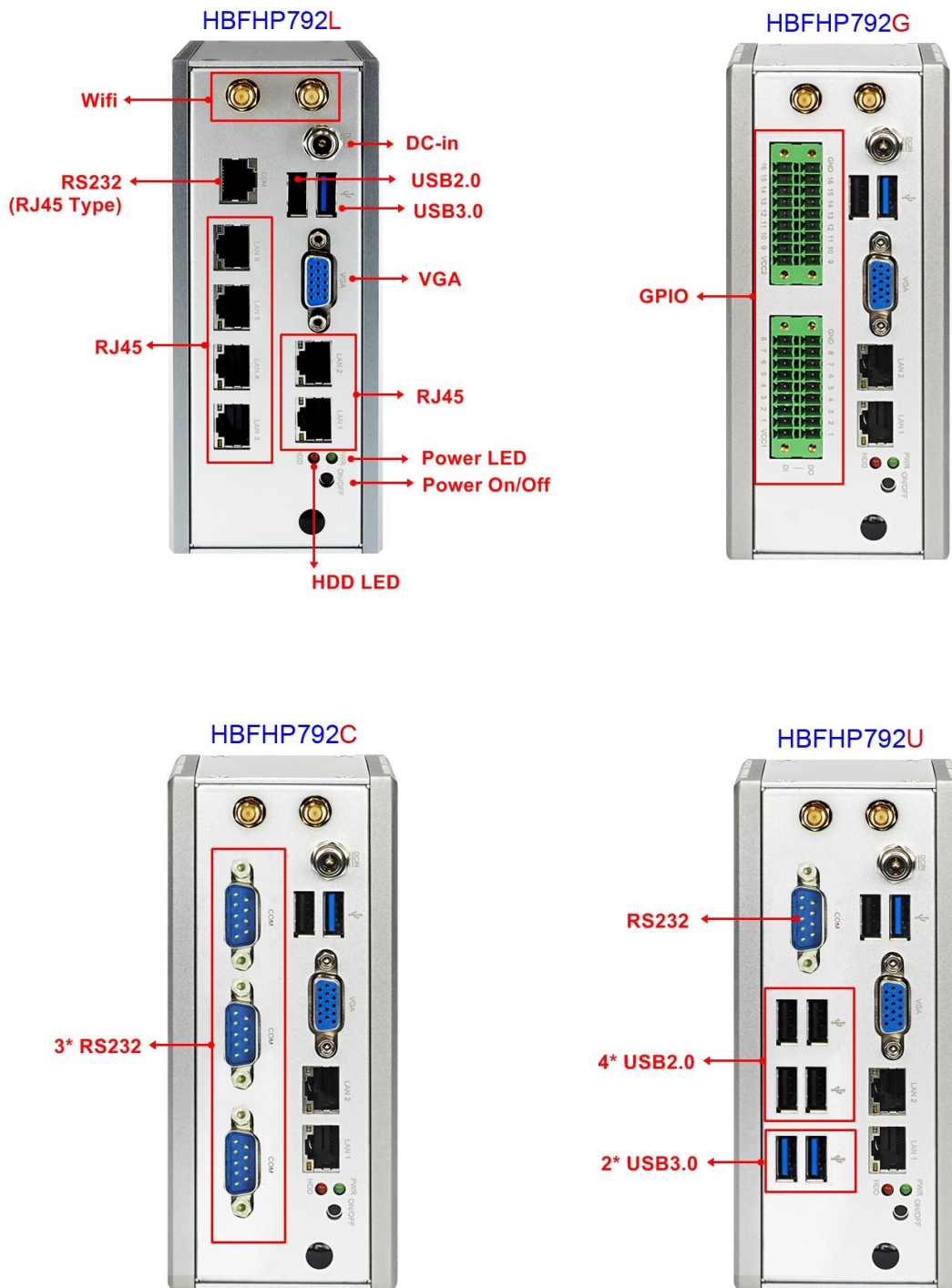
Specifications

MB Model	<ul style="list-style-type: none"> ● JNP792D2-2807
Part No	<ul style="list-style-type: none"> ● HBFHP792L-2807-G (non-WiFi) / HBFHP792LW-2807-G (WiFi) ● HBFHP792G-2807-G (non-WiFi) / HBFHP792GW-2807-G (WiFi) ● HBFHP792C-2807-G (non-WiFi) / HBFHP792CW-2807-G (WiFi) ● HBFHP792U-2807-G (non-WiFi) / HBFHP792UW-2807-G (WiFi)
CPU/Chipset	<ul style="list-style-type: none"> ● Intel® Bay Trail N2807 SoC Processor
Memory	<ul style="list-style-type: none"> ● 2GB DDR3L-1333MHz on board memory
Storage	<ul style="list-style-type: none"> ● 1 * mSATA (full size)
Network	<ul style="list-style-type: none"> ● 2 * Intel® GbE (M/B: Intel i210IT)
Expansion slot	<ul style="list-style-type: none"> ● 1 * M.2 slot (E-key, 2230) WiFi card Support IEEE 802.11a/b/g/n/ac Wireless LAN 2T2R and Bluetooth 4.2 Support 802.11ac 2x2, Wave-2 compliant with MU-MIMO
Standard I/O	<ul style="list-style-type: none"> ● 1 * Power button, 1 * Power LED, 1 * HDD LED ● 1 * USB 3.0, 1 * USB 2.0 ● 1 * VGA, 2 * RJ45 (support WOL) ● 1 * lockable DC-in jack
Expansion I/O	<ul style="list-style-type: none"> ● HBFHP792L series: 4 * RJ45 (Intel i210IT GbE), 1 * RS232 (RJ45 type) ● HBFHP792G series: GPIO (input – 16-bits / output – 16-bits) ● HBFHP792C series: COM1 ~ 2 support RS232/RS422/RS485, COM3 support RS232 ● HBFHP792U series: 2 * USB 3.0, 4 * USB 2.0, 1 * RS232/RS422/RS485
Power Source	<ul style="list-style-type: none"> ● FSP AC 90~240V to DC Adapter / DC12V-3.3A-40W / LV6
Compliance	<ul style="list-style-type: none"> ● CE, FCC, LVD, RoHS
Temperature	<ul style="list-style-type: none"> ● Recommended Operating Temperature: 0~50° C

	<ul style="list-style-type: none"> ● Working environment temperature: -20~70° C ● Storage Temperature: -20~70° C
Dimensions	<ul style="list-style-type: none"> ● 63 (W) x 89 (D) x 149 (H) mm
Packing	<ul style="list-style-type: none"> ● Net Weight: 1.5KG ● Gross Weight: 2.2KG ● Color Box dimension: 152 (W) * 162 (D) * 260 (H) mm
OS Support	Windows 7, Windows 8.1, Windows 10, Linux
Warranty	2 Years limited warranty

*Specifications subject to change without notice, not responsible for typographical errors. Does not include HDD or OS.

External I/O



DIN Rail & Wall Mount



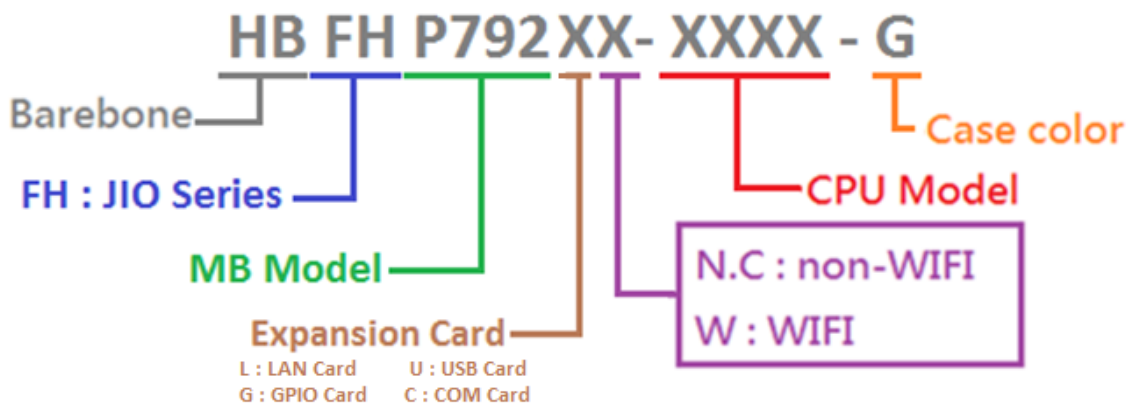
DIN Rail



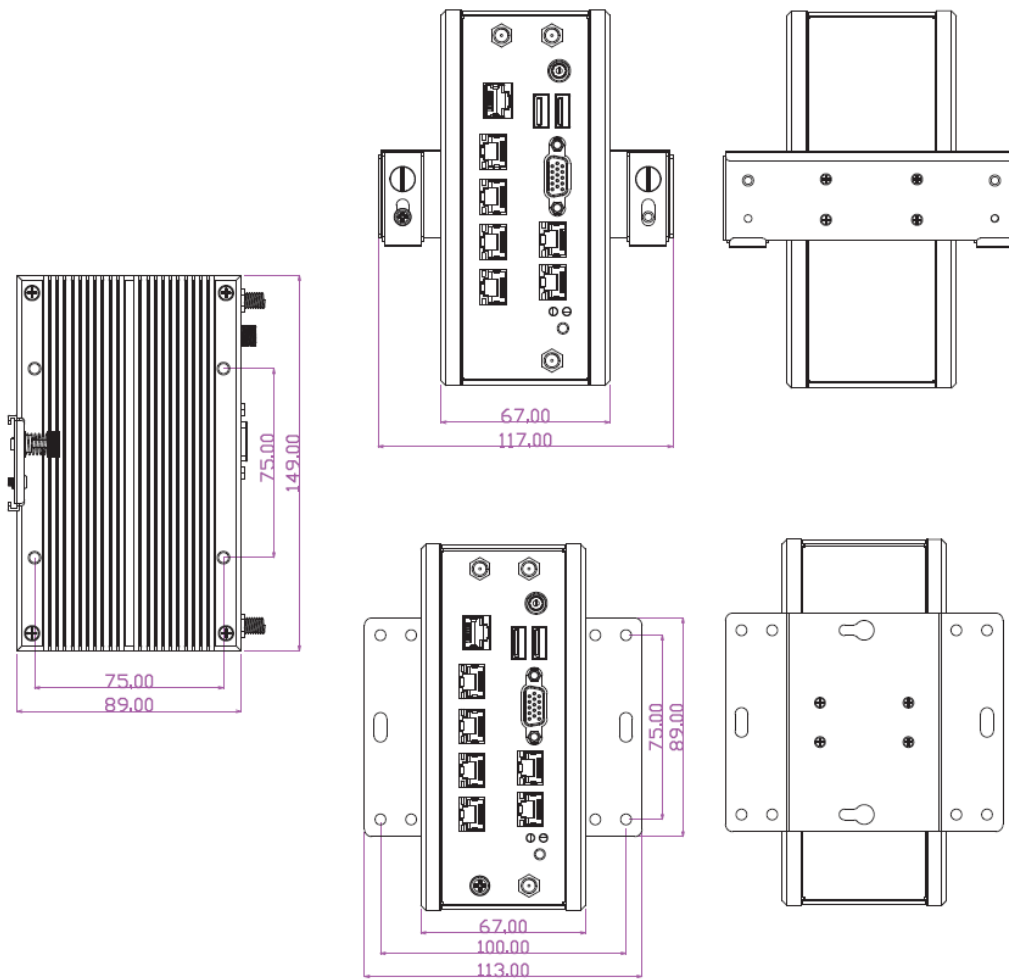
Wall Mount



Part Number Rule



Mechanical Drawings (Unit = mm)



Optional Accessories

Parts Number	Description
	HBFHP792X-XXXX-G
L01AS035-F	FSP AC 90~240V to DC Adapter / DC12V-3.3A-40W / LV6
Change according to shipping area	Power cord
	Screw Pack
J05-ANT-AN2400-F	Antenna2G4 -2dBi R-AN2400-5701RS (Optional)
HCSFHMWM03S-F	Din Rail Kit
HCSFHMWM02S-F	Din Rail Screw
HCSFHMWM01B-F	Wall Mount