



HBFEF752(W)-7X00-B

Intel Kabylake-U Core-I series processor, support ITPS power supply (9~36V DC-in), 8 * PoE ports

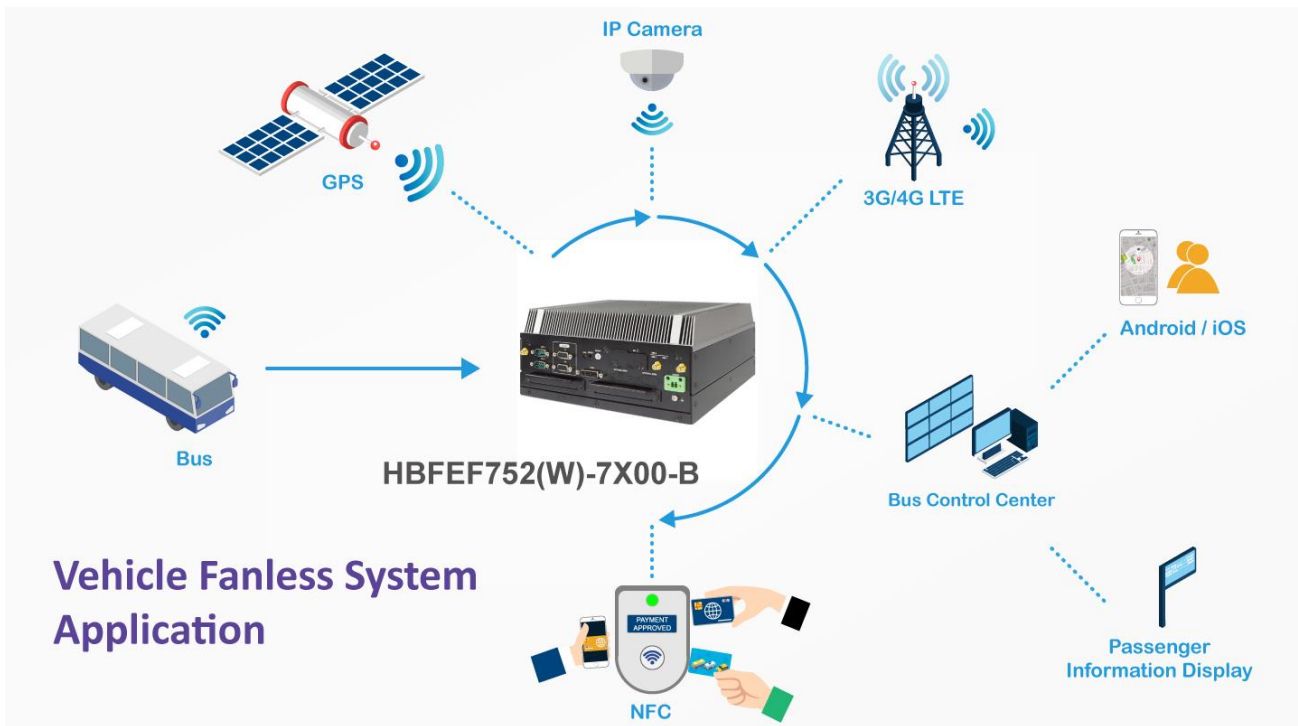
Overview:

Public transportation has always been a convenient method of travel.

Many people rely on it to get to work, school or other destinations on their schedules.

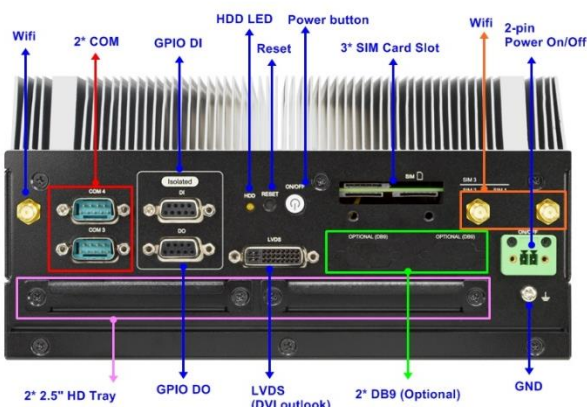
The latest digitized systems that are now being implemented in public transportation vehicles and smart bus stops will take ease-of-use to another level.

Passengers will now be able to access instantaneous times of buses, watch news and have a more interactive experience.

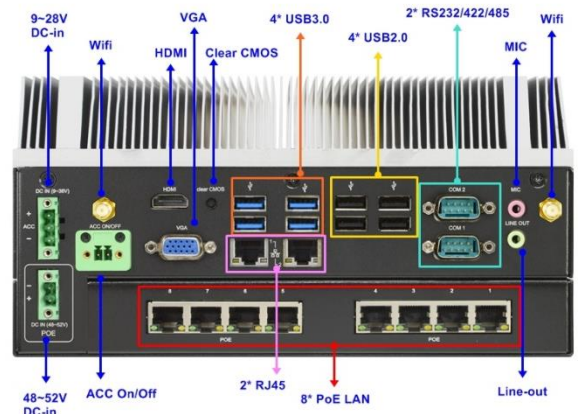


External I/O

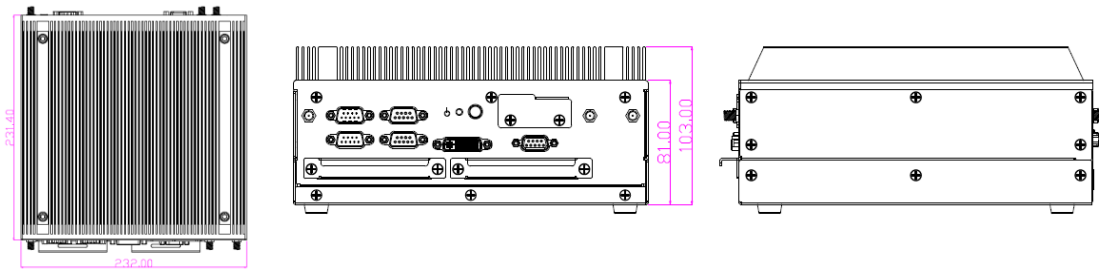
Front



Rear



Mechanical Drawings (Unit = mm)



Specifications

M/B Model

- JNF752-7100U (Core i3) / (TDP 15W)
- JNF752-7200U / 7300U (Core i5) / (TDP 15W)
- JNF752-7600U (Core i7) / (TDP 15W)

The model will be ordered according to the CPU purchase status, and the detailed situation is recommended to contact the sales.

BIOS

AMI Flash ROM

Memory

Support 2 * DDR4 2133MHz SO-DIMM slots up to 32GB

Storage

- Support 2 * 2.5" SATA Device tray (Removable hard drive)
- Support 1 * Mini-PCIe slot (full size, only for mSATA)

Rear Panel I/O

- 4 * USB 2.0, 4 * USB 3.0
- 1 * HDMI (Max. resolution:4096 x 2304@24Hz)
- 1 * VGA (Max. resolution:1920 x 1080@60Hz)
- 2 * RJ45, 8 * 1000M PoE (23W/per port)
- 1 * Line-out, 1 * MIC
- 2 * COM (RS232/RS422/RS485)
- 1 * DC 9~36V_3PIN Industrial connector,
1 * DC 48~52V_2PIN Industrial connector
- 1 * Clear COMS Button
- 1 * AT Mode setting_2PIN Industrial connector
- 2 * Antenna holes (Optional)

Compliance

CE, FCC, LVD, RoHS

Temperature

- Operating Temperature: -20 ~ 70° C
- Storage Temperature: -20 ~ 70° C

Dimensions

232 (W) x 231.4 (D) x 103 (H) mm

Packing

- Net Weight: 2.7KG
- Gross Weight: 3.7KG

OS Support

Windows 10, Linux

Warranty

2 Years limited warranty

Part No

- HBFEF752-7100-B (non-WIFI)/HBFEF752W-7100-B (WIFI)
- HBFEF752-7300-B (non-WIFI)/HBFEF752W-7200-B (WIFI)
- HBFEF752-7600-B (non-WIFI)/HBFEF752W-7600-B (WIFI)

The model will be ordered according to the CPU purchase status, and the detailed situation is recommended to contact the sales.

CPU/Chipset

Intel® KabyLake-U Core-i SoC Processor

Network

1 * Intel® i219LM & 1 * Intel® i210AT GbE

Expansion

- 2 * Mini PCIe (full-size, for WiFi/3G/4G/ Capture Card module expansion)
- 1 * Mini-PCIe slot (USB only , full size, for 4G LTE + GPS expansion)

Front Panel I/O

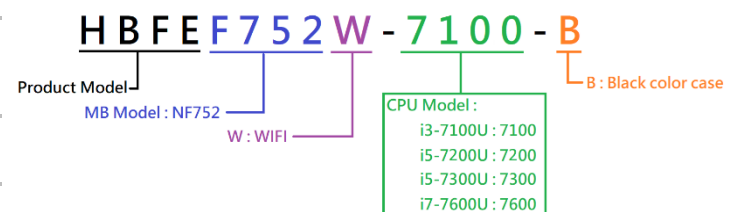
- 1 * Power Button + LED, 1 * Reset Button, 1 * HDD LED
- 1 * Power on-off_2PIN Industrial connector
- 2 * COM (RS232)
- 2 * GPIO (1*DI & 1*DO/ 6 BIT) (Support Isolated)
- 1 * LVDS out (Max. resolution:1920 x 1080@60Hz)
- 3 * SIM card slots
- 2 * 2.5" SATA Device tray (Easy to change HDD)
- 1 * GND Hold
- 1 * CAN Bus (DB9 Type _ Optional)
- 3 * Antenna holes (Optional)

Power Source

- DC 9~36V Input for SYSTEM (Support Boot & Shutdown delay function _ITPS)
- DC 48~52V Input for PoE

* Specifications subject to change without notice, not responsible for typographical errors. Does not include HDD or OS.

Part Number Rules



Accessories

Parts Number	Description
-----	HBFEF752(W)-7X00-B
-----	Wall mount & Shock absorber(GSK-13A)
LCSCBFDXXX-F	Screw Pack

Optional Accessories

Parts Number	Description
-----	CAN BUS Module (Please contact sales for details)
HNSCOMWFAWNB159-F	Mini PCIe WIFI B/G/N+BT 4.0 Module / AW-NB159H Half MPCIE
HNSCOMWFAC3160-F	Mini PCIe WIFI AC+BT 4.0 Module / AC3160 Half MPCIE
-----	Mini PCIe 3G/4G Module (Please contact sales for details)
-----	Mini PCIe Capture Card Module (Please contact sales for details)
L01AS056-F	AC Adapter_120W_19V_6.32A / FSP120-ABBN5
-----	POE DC Converter_192W_DC12V in_DC48V_4A out / WG-12S4804