



HBFD632(W) Series

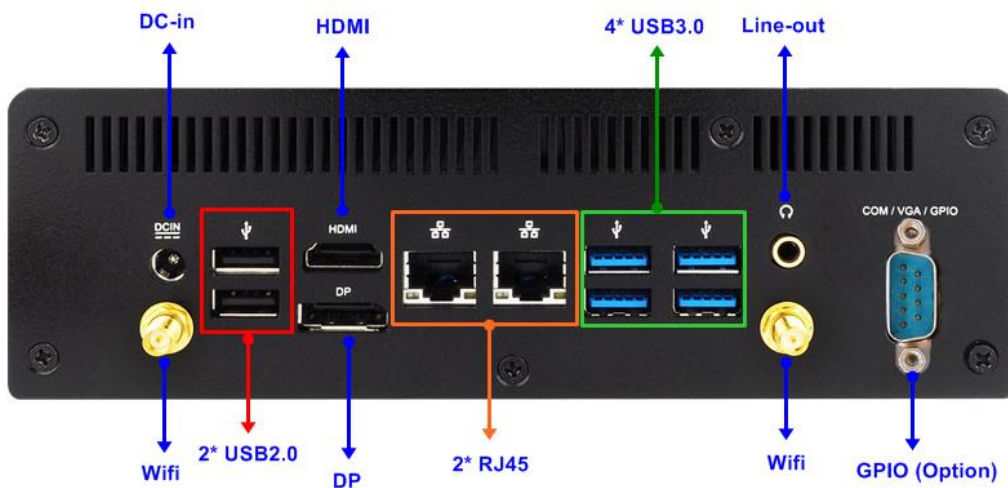


1. Intel® Skylake/Kabylake U Processor
2. Support 2* SO-DIMM DDR4-2133 , up to 32GB memory
3. 4 * USB2.0, 4 * USB3.0, 1 * HDMI, 1 * DP, 2 * RJ45, 4 * COM (Max), 1 * MIC, 1 * Line out
4. Support Max. 4K display resolution
5. DC-12V_60W FSP Adapter

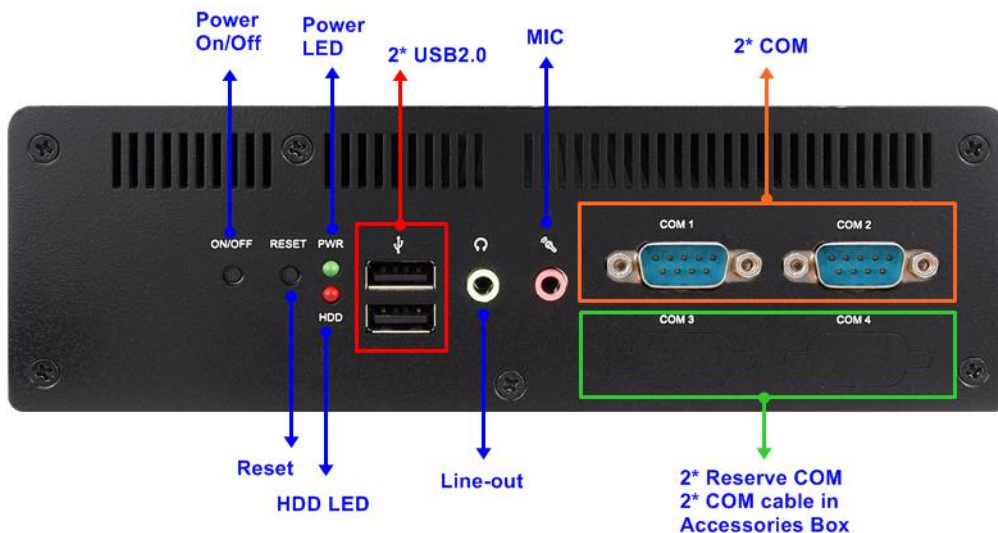


External I/O

Rear



Front

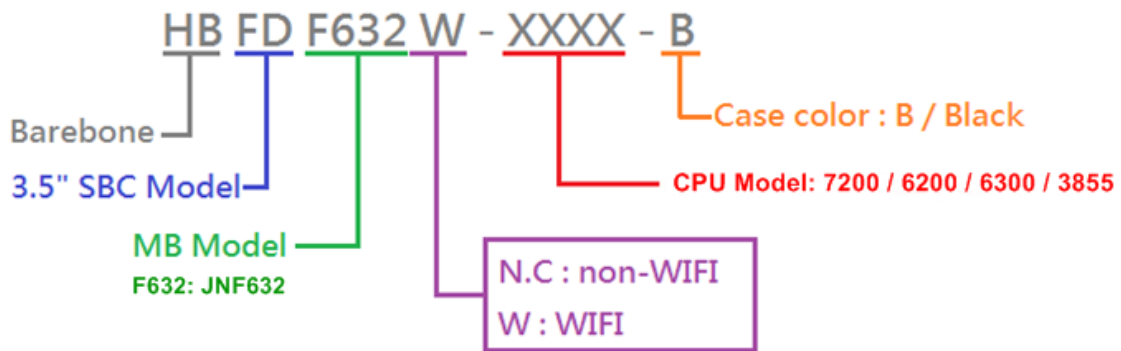


Specifications

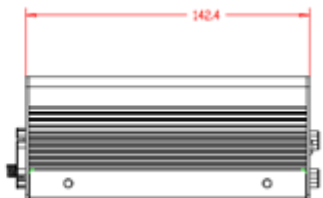
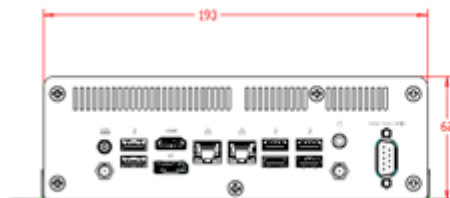
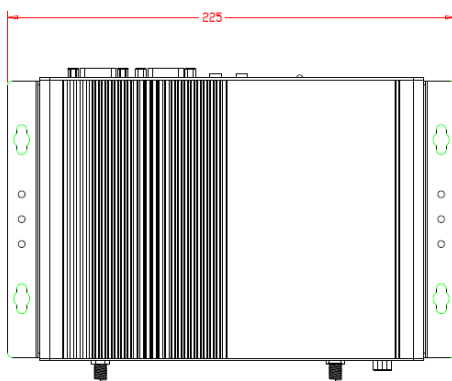
MB Model	<ul style="list-style-type: none"> ● JNF632E-XXXX / 3.5" SBC ● Core Number : i5-7200U / i5-6200U / i5-6300U / Celeron 3855U
Part No	<ul style="list-style-type: none"> ● HBFDF632-7200-B (non-WIFI) / HBFDF632W-7200-B (WIFI) ● HBFDF632-6200-B (non-WIFI) / HBFDF632W-6200-B (WIFI) ● HBFDF632-6300-B (non-WIFI) / HBFDF632W-6300-B (WIFI) ● HBFDF632-3855-B (non-WIFI) / HBFDF632W-3855-B (WIFI)
BIOS	<ul style="list-style-type: none"> ● AMI 128Mb SMT Flash ROM
CPU/Chipset	<ul style="list-style-type: none"> ● Intel® Skylake/Kabylake U Processor (TDP 15W)
Memory	<ul style="list-style-type: none"> ● 2 * SO-DIMM slots DDR4-2133MHz up to 32GB
Storage	<ul style="list-style-type: none"> ● 1 * 2.5" SATA3 6Gb/s internal drive bay (only support 2.5" HDD with a height ≤ 10mm) ● 1 * Mini-PCIe (full size, shared with mSATA)
Network	<ul style="list-style-type: none"> ● 2 * Intel® GbE ● 1 * half-size Mini-PCIe slot (for WiFi expansion)
Rear Panel I/O	<ul style="list-style-type: none"> ● 2 * USB 2.0 , 4 * USB 3.0 ● 1 * HDMI (Max. resolution: 4096 x 2160@24Hz) ● 1 * DP (Max. resolution: 4096 x 2304@60Hz) ● 2 * RJ45 ● 1 * Line-out ● 1 * GPIO (Optional) ● 2 * Antenna holes (Optional) ● 1 * DC-In jack
Front Panel I/O	<ul style="list-style-type: none"> ● 1 * Power button , 1 * Reset button ● 1 * Power LED , 1 * HDD LED ● 2 * USB 2.0 ports ● 1 * Line-out, 1 * MIC-in ● 2 * COM (Default, max 4 COM, COM1 supports RS232/422/485, setting by BIOS)
Power Source	<ul style="list-style-type: none"> ● FSP DC Adapter / DC12V-5A-60W / LV6 ● AC 90~240V input
Compliance	<ul style="list-style-type: none"> ● CE, FCC, LVD, RoHS
Safety	<ul style="list-style-type: none"> ● Vibration test: N.C ● Shock test: N.C
Temperature	<ul style="list-style-type: none"> ● Operating Temperature: 0~50° C ● Storage Temperature: -10~70° C
Dimensions	<ul style="list-style-type: none"> ● 193 (W) x 142.4 (D) x 62 (H) mm
Packing	<ul style="list-style-type: none"> ● Net Weight: 2.2KG ● Gross Weight: 3.2KG ● Color Box dimension: 250 (W) * 118 (D) * 295 (H) mm
OS Support	<p>Skylake CPU support Win7, Win8, Win10. HBFDF632(W)-7200-B (Kabylake CPU) only support Win10.</p>
Warranty	2 Year limited warranty

*Specifications subject to change without notice, not responsible for typographical errors. Does not include HDD or OS.

Part Number Rule



Mechanical Drawings (Unit = mm)



Optional Accessories

Parts Number	Description
	HBFD632(W) Series
L01AS037-F	FSP Adapter 12V-5A-60W / LEVEL6
Change according to shipping area	Power cord
LCSCHBFDXXX-F	HBFX_Series Barebone Screw Pack
HCSFDMWM01B-F	FD Series Wall mount
HCS3XXDINRAILPS-F	DIN RAIL Clip
J05-ANT-AN2400-F	Antenna2G4 -2dBi R-AN2400-5701RS (Optional)
G01-COM-H2M20-1F	COM Cable
G01-GPIO9-M30D-F	GPIO CABLE (Optional)