



## HA238SA-H110-T1 All-In-One System

- Fancy All-In-One system
- INTEL® H110 Express chipset
- Support 1\* 10/100/1000Mbps LAN
- Support TPM 1.2
- Integrated HD Audio CODEC with 6.0 CH
- View angle and swivel stand adjustable
- AIO Size : 23.8"

### Introduction

Jetway HA238SA-H110-T1 is a fancy All-In-One system, equipped with INTEL® H110 Express chipset, up to 1000Mbps LAN speed, also offers DDR4 2133 (Max 32GB) system memory and BIOS of 64MB SPI Flash ROM. OS support Windows 8.1 and 10.

The HA238SA-H110-T1 is view angle and swivel lift stand adjustable. Forward tilt is -5 to -2 degree; backward tilt is 20 to 23 degree; swivel range is 140 degree; clockwise is 90 degree. The vertical swivel lift range is 130mm+/-5. Jetway AIO system provides more convenience and flexibility.

The space-saving design of HA238SA-H110-T1 fits perfectly into office and with the optional purchasable VESA-mount (100\*100mm or 75\*75mm), it is easily possible to mount it onto walls.

Jetway HA238SA-H110-T1 is an ideal AIO system choice not only for business application but also for personal use.



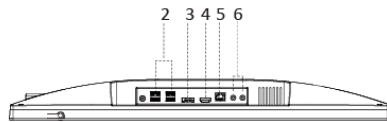
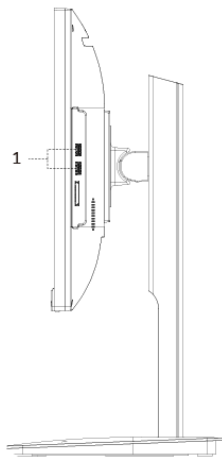
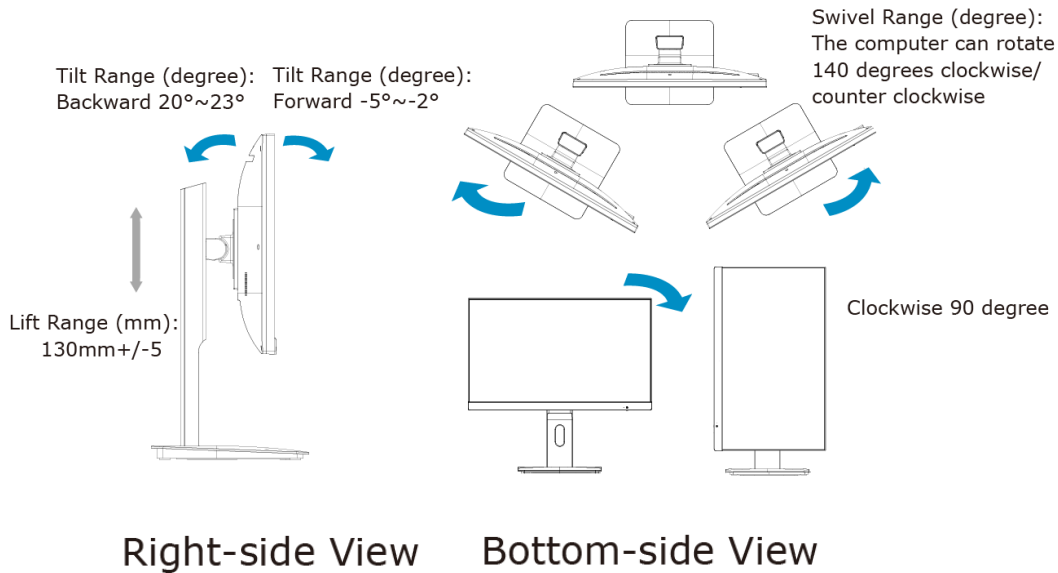
## Specifications

Model	HA238SA-H110-T1
Viewable Size Image	23.8 inch With LED Backlight
Active Area	527.04(H) x296.46(V)
Resolution	1920 x 1080 @60Hz
Display Color	16.7M
Pixel Pitch	0.274 x 0.274 mm
Aspect Ratio	16:9
Contrast Ratio	3000:1
Viewing Angle(H/V)	H178/V178
Response Time	24ms
Form Factor	Mini ITX
Processor	INTEL® LGA1151 series Processor
System Chipset	INTEL® H110 Express Chipset
System Memory	DDR4 2133 Memory, Max 32GB
BIOS	64MB SPI Flash ROM
Ethernet	1* 10/100/1000Mbps LAN
Audio	Realtek® ALC662 HD Audio
Storage	2* Serial ATA3 6Gb/s connectors 1* M-SATA connector
WIFI Module	N/A (Optional)
TPM	Support <b>TPM1.2</b>
Expansion	PCI-E mini card for WLAN
Display Output	CRT+HDMI
I/O Port	1*DC Jack、4*USB3.0、2*USB2.0、1*LAN、1*DP、 1*HDMI、Line-out + MIC
Power Adapter	DC-IN 19V
OS Support	Skylake CPU support Win7, Win8, Win10. Kabylake CPU only support Win10.
Temperature Range	0~ +50°C (Operating)
Humidity	20%~90% (non condensing)
Certification	FCC, CE, RoHS



# Mechanical

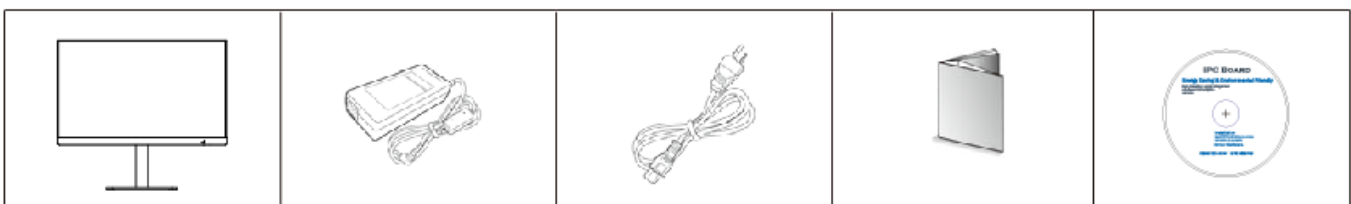
## Adjustment of view angle



1. 4\*USB3.0 Ports
2. 2\*USB2.0 Ports
3. 1\*DVI Port
4. 1\*VGA Port
5. 1\*RJ45 Port
6. 1\*Line-out & 1\*MIC



# Box Contents



HA238SA-H110-T1

120W

Power Cord

User Manual

CD

AC-DC Adapter