

FRG1-3288S

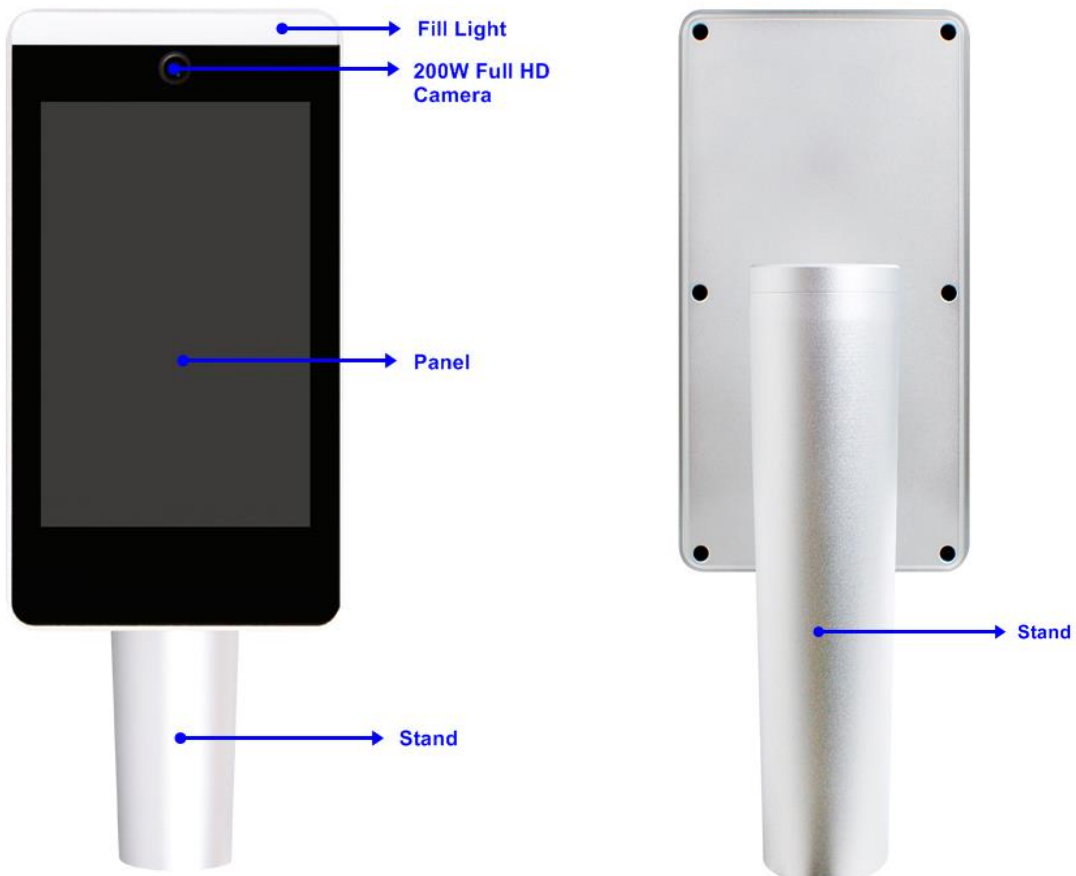
7.0" TFT Fanless Panel Computer with Rock Chip® ARM Cortex A17 RK3288 Quad Cores 1.8GHz Processor



1. 7" 400 nits high brightness TFT LCD with LED backlight
2. Alloy aluminum structure
3. Camera Support superior low-light performance
4. Camera Support high dynamic range imaging
5. Support Face Recognition Living Body
6. Face Recognition less than 0.5sec
7. Support 30,000 face data base on board
8. Stand support 15° up and down adjustment
9. 12V DC-in



External I/O





Specifications

Display

| | |
|---------------------|-------------------------|
| Display Type | - 7" With LED Backlight |
| Brightness | - 400 cd/m ² |
| Display Color | - 16.7M |
| Resolution | - 800 x 1280 @ 60Hz |
| Viewing Angle (H/V) | - 170°/170° |
| Pixel Pitch | - 0.039 x 0.118 mm |
| Aspect Ratio | - 10:16 |
| Contrast Ratio | - 800:1 |
| Response Time | - 20 ms |

Screen

| | |
|------|---------|
| Type | - Glass |
|------|---------|

Case

| | |
|---------------------|------------------------------|
| Panel Material | - Aluminum |
| Case Material | - Aluminum |
| Color | - Silver |
| Coating Requirement | - Oxidation treatment |
| Stand | - 15° up and down adjustment |

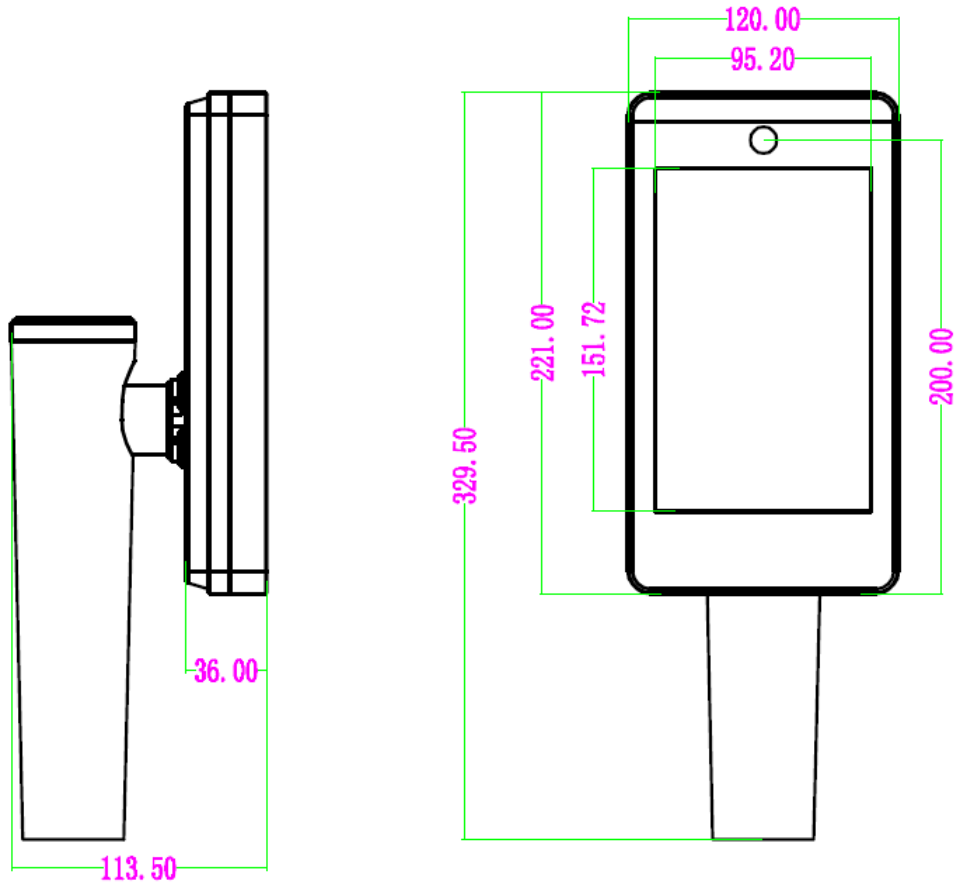
Main System

| | |
|----------------|---|
| CPU | - Rockchip® ARM Cortex A17 RK3288 Quad Cores 1.8GHz |
| RAM | - 2G 1333MHz DDR3L DRAM Max 4GB |
| Flash ROM | - 8GB Max 64GB |
| Storage | - 1* Micro SD Card Socket (INT) |
| Watchdog Timer | - 256 levels, 0~255 sec. |

| | |
|-----------------------|--|
| Fill Light | - 1 (Life time: > 30,000 Hours) |
| Camera | - 200W Full HD |
| OS Support | - Android 5.1 |
| I/O Connector | |
| Cable | - 1* USB2.0 - 1* OTG - 1* RJ45(10/100/1000Mbps Ethernet) - 1* DC Jack - 1* Switch Control (3Pin Cable) |
| Power | |
| Power Input | - AC version: 100 ~ 240V AC-DC 60W power adapter or - DC version: 12VDC with over current protection fuse |
| Power Consumption | - 11.5W |
| Dimensions | |
| Case Dimensions | - 221.0 * 120.0 * 36.0 mm |
| Packing Dimensions | - Net Weight: 2.39 KG - Gross Weight: KG - Color Box dimension: (W) * (D) * (H) mm |
| Certifications | |
| Certifications | - RoHS |
| Environment | |
| Temperature | - Operating: -0°C ~ 60°C (with W.T. DRAM/HDD in airflow condition) - Operating: -0°C ~ 60°C (with W.T. DRAM/HDD) - Storage: -20°C ~ 85°C |
| Shock | - Operating: 15G, 11ms duration |
| Vibration | - Operating: 5 ~ 500Hz/1 Grms |
| Warranty | |
| Warranty | - 1 Year Limited Warranty |

* Specifications subject to change without notice, not responsible for typographical errors.

Mechanical Drawings (Unit = mm)



Optional Accessories

| Part Number | Description |
|-------------|-------------------|
| ----- | FRG1-3288S |
| | Power cord |
| | 60W AC-DC Adapter |